
1. General Description	3
2. Features	4
3. Block Diagram	5
4. Pin Configurations	6
4.1. Package Instruction	6
4.2. Pin Description (MSOP-10).....	7
5. 8051 CPU Function Description	8
5.1. CPU Register	8
5.2. CPU Timing.....	9
5.3. CPU Addressing Mode	9
6. Memory Organization	10
6.1. On-Chip Program Flash	10
6.2. On-Chip Data RAM	11
7. Special Function Register	12
7.1. SFR Map	12
7.2. SFR Bit Assignment.....	13
8. Configurable I/O Ports.....	14
8.1. IO Structure.....	14
8.1.1. Port 1/3/4 GPIO Structure	14
8.2. Port1 Register	14
8.3. Port3 Register	14
8.4. Port4 Register	15
9. Interrupt.....	16
9.1. Interrupt Structure	16
9.2. Interrupt Register	17
10. Timers/Counters.....	20
10.1. Timer0 and Timer1.....	20
10.1.1. Mode 0 Structure	20
10.1.2. Mode 1 Structure	20
10.1.3. Mode 2 Structure	20
10.1.4. Mode 3 Structure	21
10.1.5. Timer0/1 Register	22
10.2. PWM-Timer	23
10.2.1. PWM-Timer Structure.....	23
10.2.2. PWM-Timer Register	24
11. UART	26
11.1. UART Structure.....	26
11.2. UART Register	27
12. Analog Comparator	29
12.1. Analog Comparator Structure	29
12.2. Analog Comparator Register	29
13. Watch Dog Timer (WDT).....	31
13.1. WDT Structure	31
13.2. WDT Register	31
14. Reset.....	33
14.1. Reset Source	33
15. Power Management.....	34

15.1. Power Saving Mode	34
15.1.1. Idle Mode	34
15.1.2. Power-down Mode	34
15.1.3. Interrupt Recovery from Power-down	34
15.1.4. Reset Recovery from Power-down	35
15.1.5. GPIO wake-up Recovery from Power-down	35
15.2. Power Control Register	35
16. System Clock	37
16.1. Clock Structure	37
16.2. Clock Register	37
17. In System Programming (ISP)	39
18. In Application Programming (IAP)	41
19. Auxiliary SFRs	42
20. Absolute Maximum Rating	43
21. Electrical Characteristics	44
21.1. DC Characteristics	44
22. Package Dimension	45
23. Instruction Set	46
24. Revision History	49

1. General Description

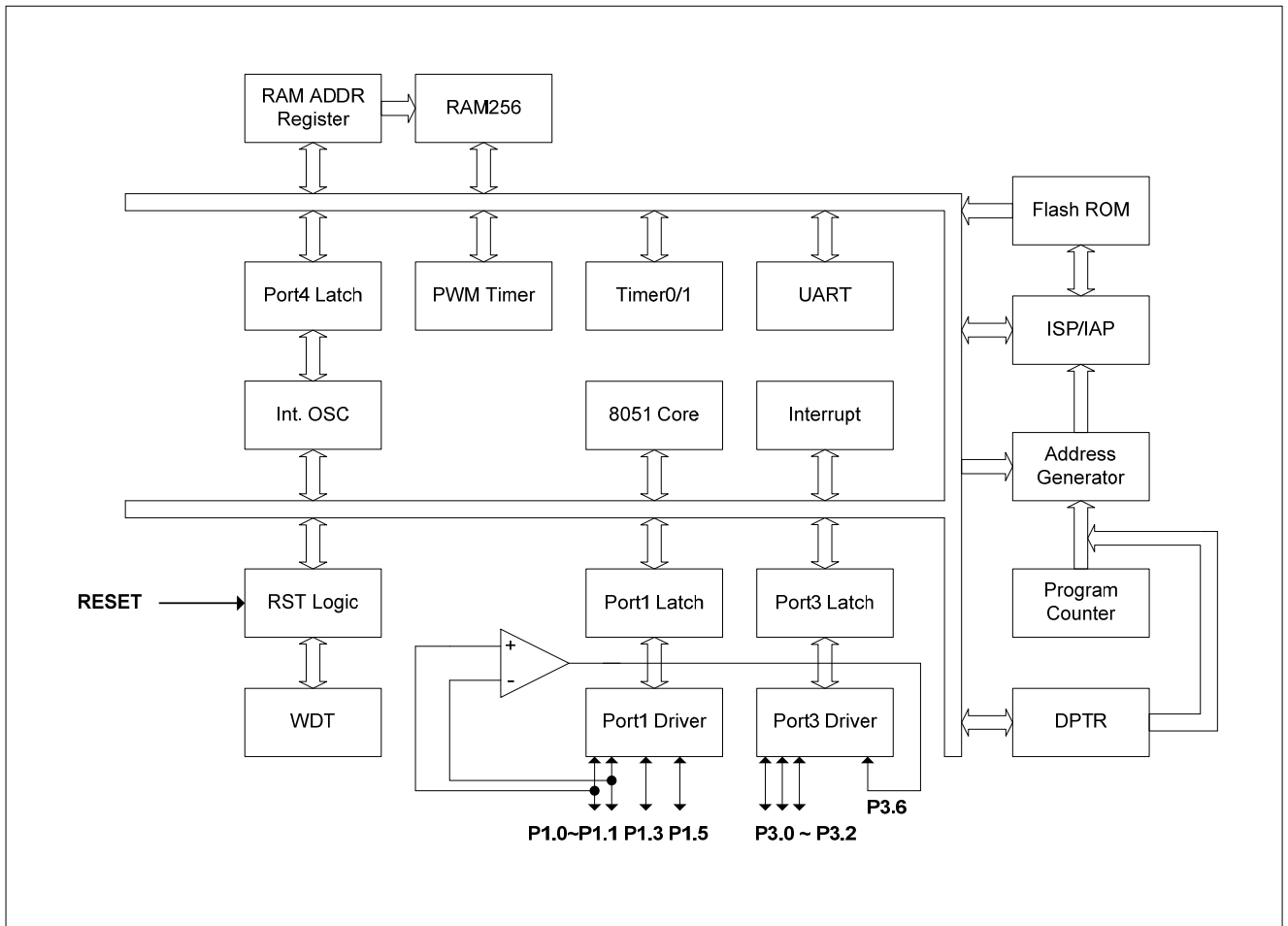
MG87FE/L04 is single-chip 8-bits microcontroller with the instruction sets fully compatible with industrial-standard 80C51 series microcontroller. 4K bytes flash memory and 256 bytes RAM has been embedded to provide widely field application. In-System-Programming and In-Application-Programming allows the users to download new code or data while the microcontroller sits in the application. This device executes one machine cycle in 6 clock cycles or 12 clock cycles. MG87FE/L04 has 7-bit I/O port (10-pin MSOP package), two 16-bit timer/counters, one PWM-timer for 4-channel PWM output, an enhanced UART, a precision analog comparator and a high-precision internal oscillator.

2. Features

- 80C51 Central Processing Unit
- MG87FE/L04 with 4KB flash ROM
- Operating voltage: 4.5V~5.5V for MG87FE04 ; 2.7V ~ 3.6V for MG87FL04.
- Operation frequency : Internal RC-oscillator (default 22.118MHz@12T) with +/- 4% frequency drift @ -40 ~ 85°C
- IAP capability; 2KB IAP memory size
- On-chip 256 bytes data RAM for MG87FE/L04
- Code protection for flash memory access
- Two 16-bit timer/counter
- PWM-Timer for PWM generator or normal 8-bit timer, selectable interrupt source
- Enhanced UART, provides frame-error detection and hardware address-recognition
- 15 bits Watch-Dog-Timer with 8-bit pre-scalar, one-time enabled by CPU or power-on
- Power control: idle mode and power-down mode, Power-down can be woken-up by INT0 (P3.2), INT2 (P4.3), and other I/O.
- I/O port list, P1.5 (P3.5/T1), P1.3 (P4.3/INT2), P1 [1:0] and P3 [2:0].
- Built-in analog comparator with selectable interrupt on INT2. AIN0(V+) on P1.0 and AIN1(V-) on P1.1, output on P3.6(internal port)
- Package type: MSOP-10
- Order Information:

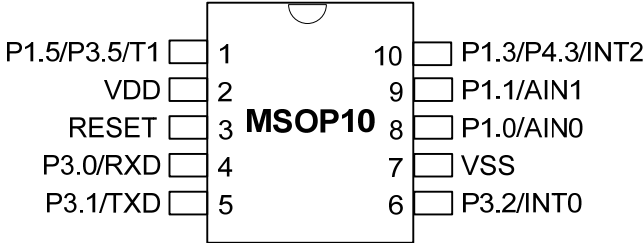
Items	Package Type	IC Marking
MG87FE04	MSOP-10	MG87E04S
MG87FL04	MSOP-10	MG87L04S

3. Block Diagram



4. Pin Configurations

4.1. Package Instruction



4.2. Pin Description (MSOP-10)

Pin Name	Pin-Number	I/O type	Description
P1.0, P1.1, P1.3, P1.5	8, 9, 10, 1	I/O	<p>Port1: General-purposed I/O with weak pull-up resistance inside. When 1s are written into Port1, the strong output driving PMOS only turn-on two periods and then the weak pull-up resistance keeps the port high.</p> <p>P1.0 is the comparator positive input. P1.1 is the comparator negative input. P1.3 has a swapped function with P4.3/INT2. P1.5 has a swapped function with P3.5/T1.</p>
P3.0~P3.2, (P3.6)	4~6,	I/O	<p>Port3: General-purposed I/O with weak pull-up resistance inside. When 1s are written into Port1, the strong output driving PMOS only turn-on two periods and then the weak pull-up resistance to keep the port high. Port3 also serves the special function of MG87FE/L04.</p> <p>(P3.6 has a dedicated function for comparator output)</p>
RESET	3	I	RESET: A high on this pin for at least two machine cycles will reset the device.
VDD	2	P	POWER
VSS	7	G	GROUND

5. 8051 CPU Function Description

5.1. CPU Register

PSW: Program Status Word

Address=D0H, read/write, Power On + RESET=0000-0000

7	6	5	4	3	2	1	0
CY	AC	F0	RS1	RS0	OV	F1	P

CY: Carry bit.

AC: Auxiliary carry bit.

F0: General purpose flag 0.

RS1: Register bank select bit 1.

RS0: Register bank select bit 0.

OV: Overflow flag.

F1: General purpose flag 1.

P: Parity bit.

The program status word (PSW) contains several status bits that reflect the current state of the CPU. The PSW, shown above, resides in the SFR space. It contains the Carry bit, the Auxiliary Carry(for BCD operation), the two register bank select bits, the Overflow flag, a Parity bit and two user-definable status flags.

The Carry bit, other than serving the function of a Carry bit in arithmetic operations, also serves as the "Accumulator" for a number of Boolean operations.

The bits RS0 and RS1 are used to select one of the four register banks shown in the on-chip-data-RAM section. A number of instructions refer to these RAM locations as R0 through R7.

The Parity bit reflects the number of 1s in the Accumulator. P=1 if the Accumulator contains an odd number of 1s and otherwise P=0.

SP: Stack Pointer

Address=81H, read/write, Power On + RESET=0000-0111

7	6	5	4	3	2	1	0
SP[7]	SP[6]	SP[5]	SP[4]	SP[3]	SP[2]	SP[1]	SP[0]

DPL: Data Pointer Low

Address=82H, read/write, Power On + RESET=0000-0000

7	6	5	4	3	2	1	0
DPL[7]	DPL[6]	DPL[5]	DPL[4]	DPL[3]	DPL[2]	DPL[1]	DPL[0]

DPH: Data Pointer High

Address=83H, read/write, Power On + RESET=0000-0000

7	6	5	4	3	2	1	0
DPH[7]	DPH[6]	DPH[5]	DPH[4]	DPH[3]	DPH[2]	DPH[1]	DPH[0]

B: B Register

Address=F0H, read/write, Power On + RESET=0000-0000

7	6	5	4	3	2	1	0
B[7]	B[6]	B[5]	B[4]	B[3]	B[2]	B[1]	B[0]

5.2. CPU Timing

A machine cycle is the shortest timing period to achieve an instruction. In MG87FE/L04, some instructions need 1 machine cycle to achieve, but others need 2 or 4 machine cycles. A machine cycle takes 12 clock periods or 6 clock periods. For 12MHz system clock, it is 1us or 0.5us.

A machine cycle is consisted of six sequential states. The states are from S1 to S6. For each state, it is partitioned into two phase – phase1 and phase2. Each phase is corresponding to 1 clock period. Execution of a one-cycle instruction begins during S1 when the op-code is latched into the instruction register. A second fetch appears during S4 of the same machine cycle. Execution is completed at the end of S6 of the machine cycle.

MOVX instruction is in-active in MG87FE/L04 because there is no on-chip external RAM and no external access bus. Write operation will have no effect. And read operation will always cause an un-expected operation.

5.3. CPU Addressing Mode

Direct Addressing (DIR)

In direct addressing the operand is specified by an 8-bit address field in the instruction. Only internal data RAM and SFRs can be direct addressed.

Indirect Addressing (IND)

In indirect addressing the instruction specified a register which contains the address of the operand. Both internal and external RAM can be indirectly addressed.

The address register for 8-bit addresses can be R0 or R1 of the selected bank, or the Stack Pointer. The address register for 16-bit addresses can only be the 16-bit data pointer register – DPTR.

Register Instruction (REG)

The register banks, containing registers R0 through R7, can be accessed by certain instructions which carry a 3-bit register specification within the op-code of the instruction. Instructions that access the registers this way are code efficient because this mode eliminates the need of an extra address byte. When such instruction is executed, one of the eight registers in the selected bank is accessed.

Register-Specific Instruction

Some instructions are specific to a certain register. For example, some instructions always operate on the accumulator or data pointer, etc. No address byte is needed for such instructions. The op-code itself does it.

Immediate Constant (IMM)

The value of a constant can follow the op-code in the program memory.

Index Addressing

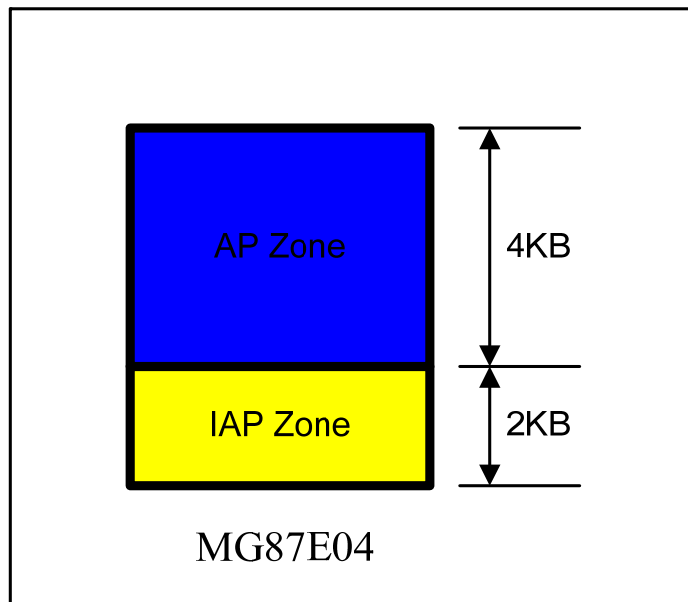
Only program memory can be accessed with indexed addressing and it can only be read. This addressing mode is intended for reading look-up tables in program memory. A 16-bit base register (either DPTR or PC) points to the base of the table, and the accumulator is set up with the table entry number. Another type of indexed addressing is used in the conditional jump instruction.

In conditional jump, the destination address is computed as the sum of the base pointer and the accumulator.

6. Memory Organization

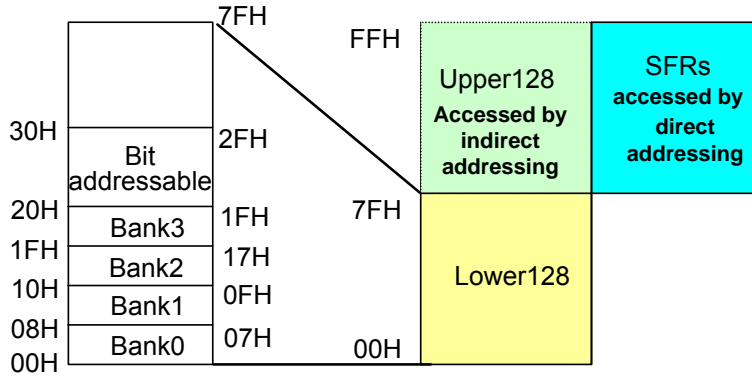
MG87FE/L04 device has separate address spaces for program and data memory. On-chip data memory can be accessed by 8-bit addresses, which can be quickly stored and manipulated by the 8-bit CPU. Program memory in MG87FE/L04 can only be read, not written into.

6.1. On-Chip Program Flash



In MG87FE/L04, the first partition named AP-memory is the space for storing user's application program code. The second one named as IAP-memory and the space which is accessed by CPU for storing the user data. The third is named as ISP-memory and it is special for ISP boot code program.

6.2. On-Chip Data RAM



MG87FE/L04 has internal data RAM that is mapped into three separate segments. They are lower 128 bytes of RAM, upper 128 bytes of RAM and 128 bytes Special Function Register (SFR).

6.2.1 Lower 128 bytes of RAM: (addresses 0x00 to 0x7F) are accessed by either direct or indirect addressing.

6.2.2 Upper 128 bytes of RAM: (addresses 0x80 to 0xFF) are accessed only by indirect addressing (using R0 or R1).

6.2.3 The Special Function Registers: (addresses 0x80 to 0xFF) are accessed only by direct addressing.

7. Special Function Register

7.1. SFR Map

	0/8	1/9	2/A	3/B	4/C	5/D	6/E	7/F	
F8H			CCAP0H 00000000						FFH
F0H	B 00000000								F7H
E8H	P4 XXXX11XX		CCAP0L 00000000						EFH
E0H		WDTCR 0X000000	IFD 11111111	IFADRH 00000000	IFADRL 00000000	IFMT XXXX0000	SCMD XXXXXXXXXX	ISPCR 0000XXXX	E7H
D8H	CCON 00XXXXXX	CMOD 00000000							DFH
D0H	PSW 00000000						P3WKPE 0X000000	P1WKPE 00000000	D7H
C8H									CFH
C0H	XICON 00000000							CKCON XXXXXX000	C7H
B8H	IPL XXX00000	SADEN 00000000						CKCON2 XX001010	BFH
B0H	P3 11111111							IPH 00X00000	B7H
A8H	IE 0XX00000	SADDR 00000000							AFH
A0H			AUXR1 0XXX0XXX						A7H
98H	SCON 00000000	SBUF XXXXXXXXXX							9FH
90H	P1 11111111							ACSR 0XX00000	97H
88H	TCON 00000000	TMOD 00000000	TL0 00000000	TL1 00000000	TH0 00000000	TH1 00000000	AUXR 00000000	CKCON3 XXXXXXXX0X	8FH
80H		SP 00000111	DPL 00000000	DPH 00000000				PCON 00010000	87H
	0/8	1/9	2/A	3/B	4/C	5/D	6/E	7/F	

7.2. SFR Bit Assignment

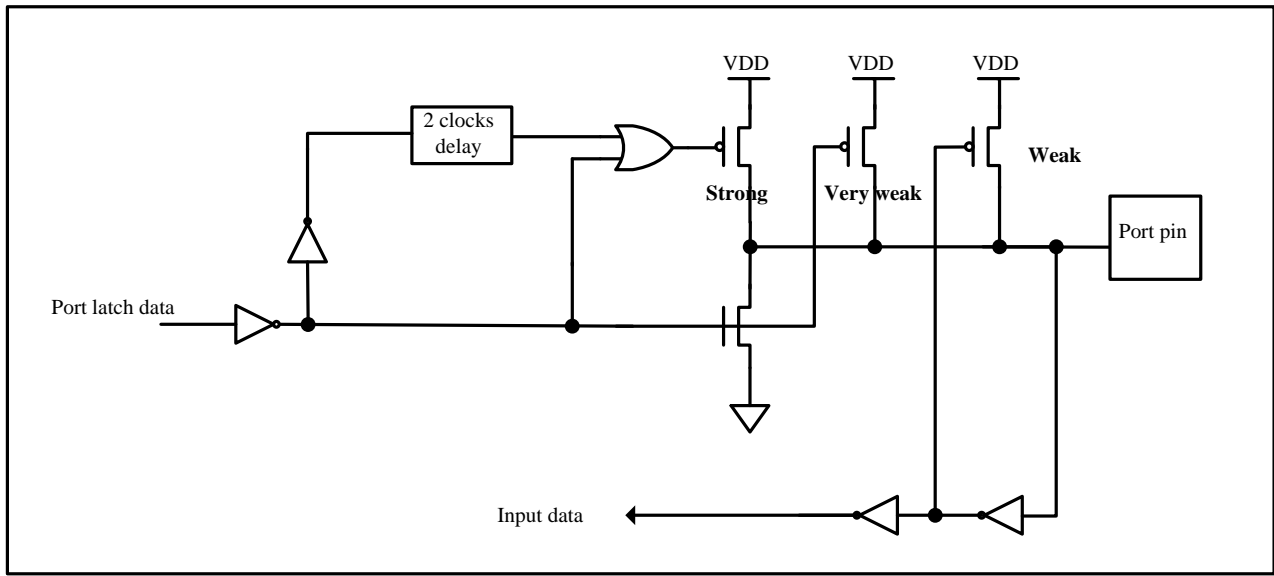
SYMBOL	DESCRIPTION	ADDRESS	BIT ADDRESS AND SYMBOL LSB										INITIAL VALUE
SP	Stack Pointer	81H											00000111B
DPL	Data Pointer Low	82H											00000000B
DPH	Data Pointer High	83H											00000000B
PCON	Power Control	87H	SMOD	SMOD0	PWMEN	POF	GF1	GF0	PD	IDL			00010000B
TCON	Timer Control	88H	9FH TF1	9EH TR1	9DH TF0	9CH TR0	9BH IE1	9AH IT1	89H IE0	88H IT0			00000000B
TMOD	Timer Mode	89H	GATE	C/T	M1	M0	GATE	C/T	M1	M0			00000000B
TL0	Timer Low 0	8AH											00000000B
TL1	Timer Low 1	8BH											00000000B
TH0	Timer High 0	8CH											00000000B
TH1	Timer High 1	8DH											00000000B
AUXR	Auxiliary	8EH		INT2H	P15FS		P13FS		P11PU	P10PU			00000000B
CKCON3	Clock Control 3	8FH	-	-	-	-	-	-	PWDEX	EN6TR			xxxxxx0xB
P1	Port 1	90H			95H		93H		91H	90H			11111111B
ACSR	Analog Comp. Reg.	97H	ACIDX	-	-	ACF	ACEN	ACM2	ACM1	ACM0			0xx00000B
SCON	Serial Control	98H	9FH SM0/FE	9EH SM1	9DH SM2	9CH REN	9BH TB8	9AH RB8	99H TI	98H RI			00000000B
SBUF	Serial Buffer	99H											xxxxxxxxxB
AUXR1	Auxiliary 1	A2H		-	-	-	GF2	-	-	-			0xxx0xxxB
IE	Interrupt Enable	A8H	AFH EA	AEH EAC	ADH	ACH ES	ABH ET1	AAH EX1	A9H ET0	A8H EX0			0xx00000B
SADDR	Slave Address	A9H											00000000B
P3	Port 3	B0H		B6H	B5H T1			B2H INT0	B1H TXD	B0H RXD			1x111111B
IPH	Interrupt Priority High	B7H	PX3H/P TCH	PX2H/ PACH		PSH	PT1H	PX1H	PT0H	PX0H			00x00000B
IPL	Interrupt Priority Low	B8H	BFH	BEH PAC	BDH	BCH PS	BBH PT1	BAH PX1	B9H PT0	B8H PX0			xxx00000B
SADEN	Slave Address Mask	B9H											00000000B
CKCON2	Clock Control 2	BFH	OSCDR	EN6TR	XCKS5	XCKS4	XCKS3	XCKS2	XCKS1	XCKS0			xx001010B
XICON	Ext. Interrupt Control	C0H	C7H PX3/PTC	C6H EX3	C5H IE3	C4H IT3	C3H PX2	C2H EX2	C1H IE2	C0H IT2			00000000B
CKCON	Clock Control	C7H	-	-	-	-	-	SCKS2	SCKS1	SCKS0			xxxxx000B
PSW	Program Status Word	D0H	D7H CY	D6H AC	D5H F0	D4H RS1	D3H RS0	D2H OV	D1H -	D0H P			00000000B
P3WKPE	P3 Wake-up Enable	D6H			P35WE			P32WE	P31WE	P30WE			0x000000B
P1WKPE	P1 Wake-up Enable	D7H			P15WE		P13WE		P11WE	P10WE			00000000B
CCON	Counter Control Reg.	D8H	CF	CR	-	-	-	-	-	-			00xxxxxB
CMOD	Counter Mode Reg.	D9H	CIDL	POS2	POS1	POS0	CPS2	CPS1	CPS0	ECF			00000000B
WDTCR	Watch-dog-timer Control register	E1H	WRF	-	ENW	CLW	WIDL	PS2	PS1	PS0			0x000000B
IFD	ISP Flash data	E2H											11111111B
IFADRH	ISP Flash address High	E3H											00000000B
IFADRL	ISP Flash Address Low	E4H											00000000B
IFMT	ISP Mode Table	E5H	-	-	-	-	MS3	MS2	MS1	MS0			xxxx0000B
IAPLB	IAP Low Boundary	Note 1											11111111B
SCMD	ISP Serial Command	E6H											xxxxxxxxxB
ISPCR	ISP Control Register	E7H	ISPEN	BS	SRST	CFAIL	-	-	-	-			0000xxxxB
P4	Port 4	E8H	-	-	-	-	EBH						xxxx11xxB
CCAP0L		EAH											00000000B
B	B Register	F0H	F7H	F6H	F5H	F4H	F3H	F2H	F1H	F0H			00000000B
CCAP0H		FAH											00000000B

Note1: The registers are addressed by IFMT and SCMD. Please refer the IFMT register description for more detail information.

8. Configurable I/O Ports

8.1. IO Structure

8.1.1. Port 1/3/4 GPIO Structure



By the way, the pull-up resistor is disabled on P10/P11 in default.

8.2. Port1 Register

P1: Port 1 Register

Address=90H, read/write, Power On + RESET=1111-1111

7	6	5	4	3	2	1	0
-	-	P15	-	P13	-	P11	P10

Bit 7, 6, 4, 2: Must always set to 1.

Bit 5, 3, 1~0: P15, P13, P11~P10 could be set/cleared by CPU. Or it also can be toggled on addressed port channel by PWM-Timer underflow event in PWM mode.

8.3. Port3 Register

P3: Port 3 Register

Address=B0H, read/write, Power On + RESET=1X11-1111

7	6	5	4	3	2	1	0
-	P36	P35	-	-	P32	P31	P30

Bit 7, 4, 3: Must always set to 1.

Bit 6, 5, 2~0: P3.5, P3.2 could only be set/cleared by package (8-pin or 10-pin). P36 is read only for CPU from analog comparator output.

8.4. Port4 Register

P4: Port 4 Register

Address=E8H, read/write, Power On + RESET=XXXX-11XX

7	6	5	4	3	2	1	0
-	-	-	-	P43	-	-	-

Bit 7~4: Reserved.

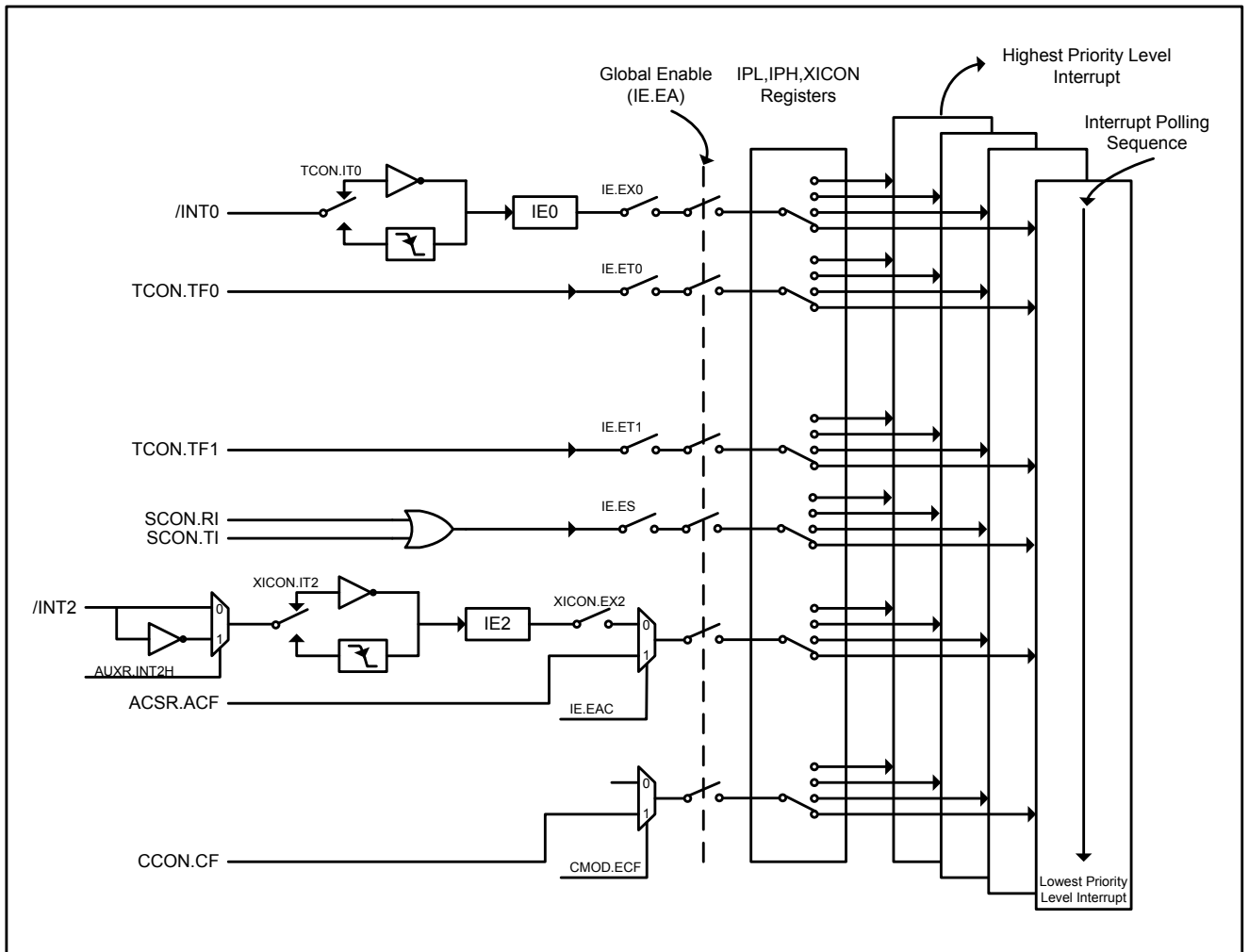
Bit 3: P4.3 could be set / cleared by program.

Bit 2: Must always set to 1.

Bit 1~0: Reserved.

9. Interrupt

9.1. Interrupt Structure



9.2. Interrupt Register

IE: Interrupt Enable Register

Address=E8H, read/write, Power On + RESET=00X0-0000

7	6	5	4	3	2	1	0
EA	EAC	--	ES	ET1	--	ET0	EX0

Bit 7: EA, All interrupts enable register.

0: Global disables all interrupts.

1: Global enables all interrupts.

Bit 6: EAC, Analog Comparator interrupt Enable register.

0: Disable analog comparator interrupt and reserve the interrupt vector (33H) to /INT2.

1: Enable analog comparator interrupt and occupy the /INT2 interrupt vector (33H) for analog comparator event. In this mode, IE2 still maintains its original function but it will not generate an interrupt whether EX2 is set or not.

Bit 5: Reserved. .

Bit 4: ES, Serial port interrupt enable register.

0: Disable serial port interrupt.

1: Enable serial port interrupt.

Bit 3: ET1, Timer 1 interrupt enable register.

0: Disable Timer 1 interrupt.

1: Enable Timer 1 interrupt.

Bit 2: Reserved. Must clear to 0.

Bit 1: ET0, Timer 0 interrupt enable register.

0: Disable Timer 0 interrupt.

1: Enable Timer 1 interrupt.

Bit 0: EX0, External interrupt 0 enable register.

0: Disable external interrupt 0.

1: Enable external interrupt 1.

XICON: External Interrupt Control Register

Address=C0H, read/write, Power On + RESET=0000-0000

7	6	5	4	3	2	1	0
PTC	--	--	--	PX2	EX2	IE2	IT2

Bit 7: PTC, PWM-Timer interrupt priority-L register. PX3 has an alternated function, PTC that is switched by ECF.

When ECF is set, this bit is PTC function. If cleared, this bit is PX3 function.

0: Lower priority, setting with PTCH to select priority level.

1: Higher priority, setting with PTCH to select priority level.

Bit 6~4: Reserved. Must clear to 0.

Bit 3: PX2, External interrupt 2 priority-L register.

0: Lower priority, setting with PX2H to select priority level.

1: Higher priority, setting with PX2H to select priority level.

Bit 2: EX2, external interrupt 2 enable register.

0: Disable external interrupt 2.

1: Enable external interrupt 2. This function will be masked when IE.EAC is enabled.

Bit 1: IE2, Interrupt 2 Edge flag.

0: Cleared when interrupt start to be serviced. It also could be cleared by CPU.

1: Set by hardware when external interrupt edge detected. It also could be set by CPU.

Bit 0: IT2, Interrupt 2 type control bit.

0: Cleared by CPU to specify low level triggered on /INT2. If AUXR.INT2H is set, this bit specifies high level triggered on /INT2.

1: Set by CPU to specify falling edge triggered on /INT2. If AUXR.INT2H is set, this bit specifies rising edge triggered on /INT2.

IPL: Interrupt Priority Low Register

Address=B8H, read/write, Power On + RESET=X0X0-0000

7	6	5	4	3	2	1	0
-	PAC	--	PS	PT1	--	PT0	PX0

Bit 7: reserved.

Bit 6: PAC, Analog Comparator interrupt priority-L register.

Bit 5: Reserved.

Bit 4: PS, Serial port interrupt priority-L register.

Bit 3: PT1, Timer 1 interrupt priority-L register.

Bit 2: Reserved. Must clear to 0.

Bit 1: PT0, Timer 0 interrupt priority-L register.

Bit 0: PX0, external interrupt 0 priority-L register.

IPH: Interrupt Priority High Register

Address=B7H, read/write, Power On + RESET=00X0-0000

7	6	5	4	3	2	1	0
PTCH	PX2H/PACH	--	PSH	PT1H	--	PT0H	PX0H

Bit 7: PTCH, PWM-Timer interrupt priority-H register when CMOD.ECF is enabled.

Bit 6: PX2H/PACH, external interrupt 2 priority-H register. It has an alternate function for Analog Comparator interrupt priority-H register when IE.EAC is enabled.

Bit 5: Reserved.

Bit 4: PSH, Serial port interrupt priority-H register.

Bit 3: PT1H, Timer 1 interrupt priority-H register.

Bit 2: Reserved. Must clear to 0.

Bit 1: PT0H, Timer 0 interrupt priority-H register.

Bit 0: PX0H, external interrupt 0 priority-H register.

IPL (or XICON) and IPH are combined to form 4-level priority interrupt as the following table.

{IPH.x , IPL.x}	Priority Level
11	1 (highest)
10	2
01	3
00	4

There are seven interrupt sources available in MG87FE/L04. Each interrupt source can be individually enabled or disabled by setting or clearing a bit in the SFR named IE. This register also contains a global disable bit (EA), which can be cleared to disable all interrupts at once.

Each interrupt source has two corresponding bits to represent its priority. One is located in SFR named IPH and the other in IPL (or XICON) register. Higher-priority interrupt will be not interrupted by lower-priority interrupt request. If two interrupt requests of different priority levels are received simultaneously, the request of higher priority is serviced. If interrupt requests of the same priority level are received simultaneously, an internal polling sequence determine which request is serviced. The following table shows the internal polling sequence in the same priority level and the interrupt vector address.

Source	Vector address	Priority within level
External interrupt 0	03H	1(highest)
Timer 0	0BH	2
--	13H	-
Timer1	1BH	3
Serial Port	23H	4
--	2BH	-
External interrupt 2 or Comparator	33H	5
PWM-Timer	3BH	6

The external interrupt /INT0, and /INT2 can each be either level-activated or transition-activated, depending on bits IT0 in register TCON, IT2 in register XICON. The flags that actually generate these interrupts are bits IE0 in TCON, IE2 in XICON. When an external interrupt is generated, the flag that generated it is cleared by the hardware when the service routine is vectored to *only if the interrupt was transition-activated*, then the external requesting source is what controls the request flag, rather than the on-chip hardware.

The Timer0 and Timer1 interrupts are generated by TF0 and TF1, which are set by a rollover in their respective Timer/Counter registers in most cases. When a timer interrupt is generated, the flag that generated it is cleared by the on-chip hardware when the service routine is vectored to.

The serial port interrupt is generated by the logical OR of RI and TI. Neither of these flags is cleared by hardware when the service routine is vectored to. The service routine should poll RI and TI to determine which one to request service and it will be cleared by software.

/INT2 and Analog Comparator share the same interrupt vector, 33H. If IE.EAC is enabled, the interrupt vector, 33H will be used for Analog Comparator with the interrupt flag, ACSR.ACF, and IE2 will not be cleared when 33H interrupt vector is addressed to.

PWM-Timer interrupt vector is generated by CCON.CF. If CMOD.ECF is enabled, the interrupt vector, 3BH will be used for PWM-Timer with the interrupt flag, CCON.CF.

All of the bits that generate interrupts can be set or cleared by software, with the same result as though it had been set or cleared by hardware. In other words, interrupts can be generated or pending interrupts can be canceled in software.

How hardware see the interrupts

Each interrupt flag is sampled at **S5P2** of every machine cycle. The samples are polled during the next **S5P2**. If one of the flags was in a set condition at **S5P2** of the first cycle, the second cycle (polling cycle) will find it and the interrupt system will generate an hardware LCALL to the appropriate service routine as long as it is not blocked by any of the following conditions.

Block conditions:

- An interrupt of equal or higher priority level is already in progress.
- The current cycle (polling cycle) is not the final cycle in the execution of the instruction in progress.
- The instruction in progress is RETI or any write to the IE, IP or IPH registers.

Any of these three conditions will block the generation of the hardware LCALL to the interrupt service routine. Condition 2 ensures that the instruction in progress will be completed before vectoring into any service routine. Condition 3 ensures that if the instruction in progress is RETI or any access to IE or IP, then at least one or more instruction will be executed before any interrupt is vectored to.

The polling cycle is repeated with each machine cycle, and the values polled are the values that were present at **S5P2** of the previous machine cycle. Note that if an interrupt flag is active but not being responded to for one of the above conditions, if the flag is not still active when the blocking condition is removed, the denied interrupt will not be serviced. In other words, the interrupt flag was once active but not being responded to for one of the above conditions, if the flag is not still active when the blocking condition is removed, the denied interrupt will not be serviced. The interrupt flag was once active but not serviced is not kept in memory. Each polling cycle is new.

10. Timers/Counters

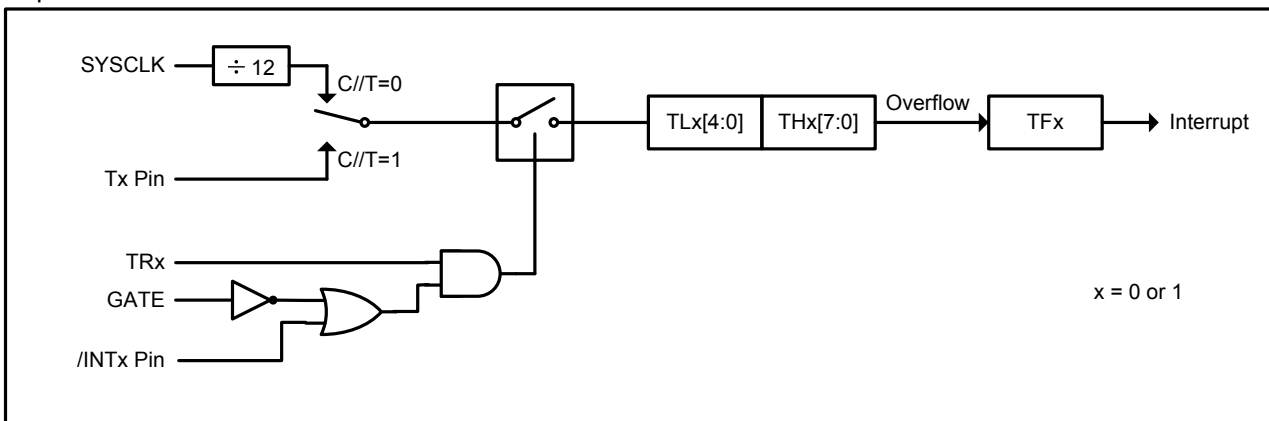
MG87FE/L04 has two Timers/Counters: Timer 0 and Timer 1. All of them can be configured as timers or event counters. (Due to no pin out /INT1 & T0 or T1(8-pin package) in MG87FE/L04, T0 count & /INT1 GATE or T1(8-pin package) count would be useless function.)

In the “timer” function, the register is incremented every machine cycle. In other words, it is to count the machine cycle. Due to 12(6) oscillator periods in a machine cycle, the count rate is 1/12(1/6) of the oscillator frequency. In the “counter” function, the register is incremented in response to a 1-to-0 transition at its corresponding external input pin, T0 or T1. In this function, the external input is sampled during S5P2 of every machine cycle. When the samples show a high in one cycle and a low in the next cycle, the count is incremented. The new count value appears in the register during S3P1 of the cycle following the one in which the transition was detected.

10.1. Timer0 and Timer1

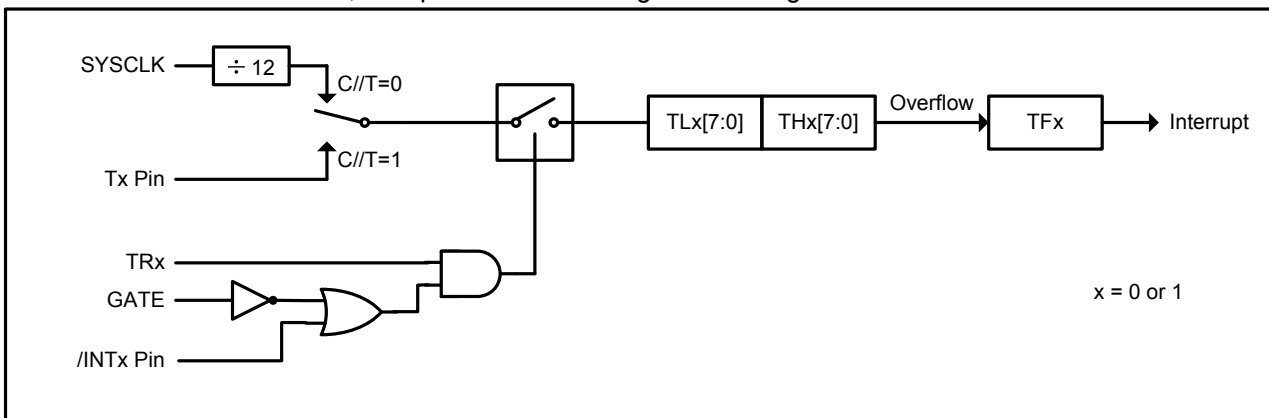
10.1.1. Mode 0 Structure

The timer register is configured as a 13-bit register. As the count rolls over from all 1s to all 0s, it sets the timer interrupt flag T_{Fx}. The counted input is enabled to the timer when TR_x = 1 and either GATE=0 or INT_x = 1. Mode 0 operation is the same for Timer0 and Timer1.



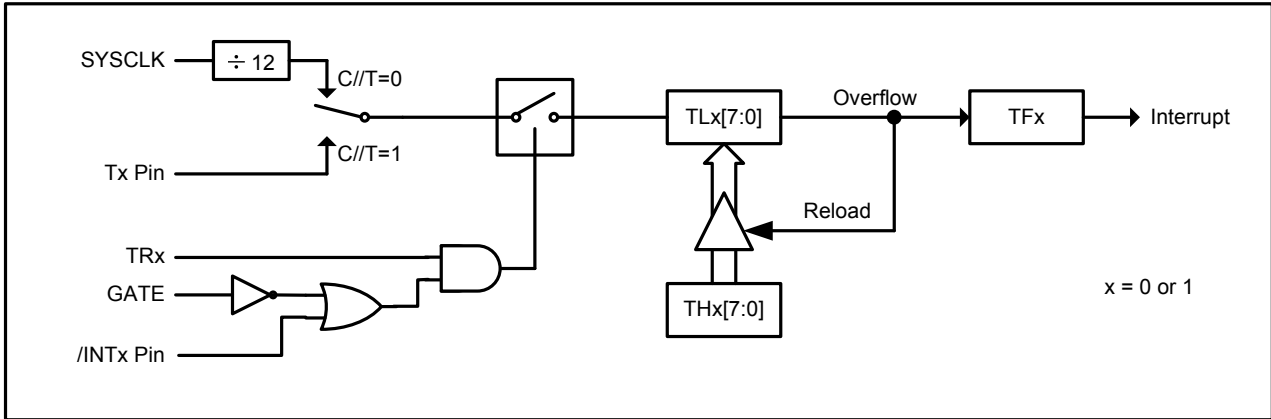
10.1.2. Mode 1 Structure

Mode1 is the same as Mode0, except that the timer register is being run with all 16 bits.



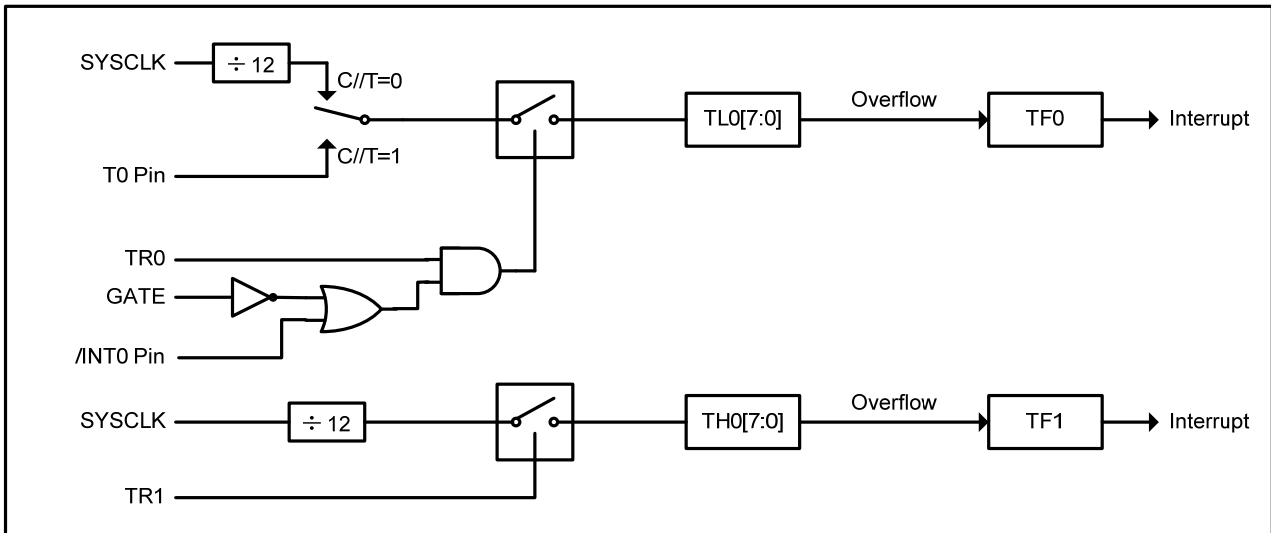
10.1.3. Mode 2 Structure

Mode 2 configures the timer register as an 8-bit counter (TL_x) with automatic reload. Overflow from TL_x not only set T_{Fx}, but also reload TL_x with the content of TH_x, which is determined by software. The reload leaves TH_x unchanged. Mode 2 operation is the same for Timer0 and Timer1.



10.1.4. Mode 3 Structure

Timer1 in Mode3 simply holds its count, the effect is the same as setting TR1 = 1. Timer0 in Mode 3 enables TL0 and TH0 as two separate 8-bit counters. TL0 uses the Timer0 control bits such like C/T, GATE, TR0, INT0 and TF0. TH0 is locked into a timer function (can not be external event counter) and take over the use of TR1, TF1 from Timer1. TH0 now controls the Timer1 interrupt.



10.1.5. Timer0/1 Register

TMOD: Timer/Counter Mode Control Register

Address=89H, read/write, Power On + RESET=0000-0000

7	6	5	4	3	2	1	0
GATE	C/T	M1	M0	GATE	C/T	M1	M0

|←----- Timer1 ----->|←----- Timer0 ----->|

Bit 7/3: Gate, Gating control for Timer1/0.

0: Disable gating control for Timer1/0.

1: Enable gating control for Timer1/0. When set, Timer1/0 or Counter1/0 is enabled only when /INT1 or /INT0 pin is high and TR1 or TR0 control bit is set.

Bit 6/2: C/T, Timer for Counter function selector.

0: Clear for Timer operation, input from internal system clock.

1: Set for Counter operation, input form T1 input pin.

Bit 5~4/1~0: Operating mode selection.

M1	M0	Operating Mode
0	0	13-bit timer/counter for Timer0 and Timer1
0	1	16-bit timer/counter for Timer0 and Timer1
1	0	8-bit timer/counter with automatic reload for Timer0 and Timer1
1	1 (Timer0)	TL0 is 8-bit timer/counter, TH0 is locked into 8-bit timer
1	1 (Timer1)	Timer/Counter1 Stopped

TCON: Timer/Counter Control Register

Address=88H, read/write, Power On + RESET=0000-0000

7	6	5	4	3	2	1	0
TF1	TR1	TF0	TR0	--	--	IE0	IT0

Bit 7: TF1, Timer 1 overflow flag.

0: Cleared by hardware when the processor vectors to the interrupt routine, or cleared by software.

1: Set by hardware on Timer/Counter 1 overflow, or set by software.

Bit 6: TR1, Timer 1 Run control bit.

0: Cleared by software to turn Timer/Counter 1 off.

1: Set by software to turn Timer/Counter 1 on.

Bit 5: TF0, Timer 0 overflow flag.

0: Cleared by hardware when the processor vectors to the interrupt routine, or cleared by software.

1: Set by hardware on Timer/Counter 0 overflow, or set by software.

Bit 4: TR0, Timer 0 Run control bit.

0: Cleared by software to turn Timer/Counter 0 off.

1: Set by software to turn Timer/Counter 0 on.

Bit 3~2: Reserved. Must clear to 0.

Bit 1: IE0, Interrupt 0 Edge flag.

0: Cleared when interrupt processed on if transition-activated.

1: Set by hardware when external interrupt 0 edge is detected (transmitted or level-activated).

Bit 0: IT0: Interrupt 0 Type control bit.

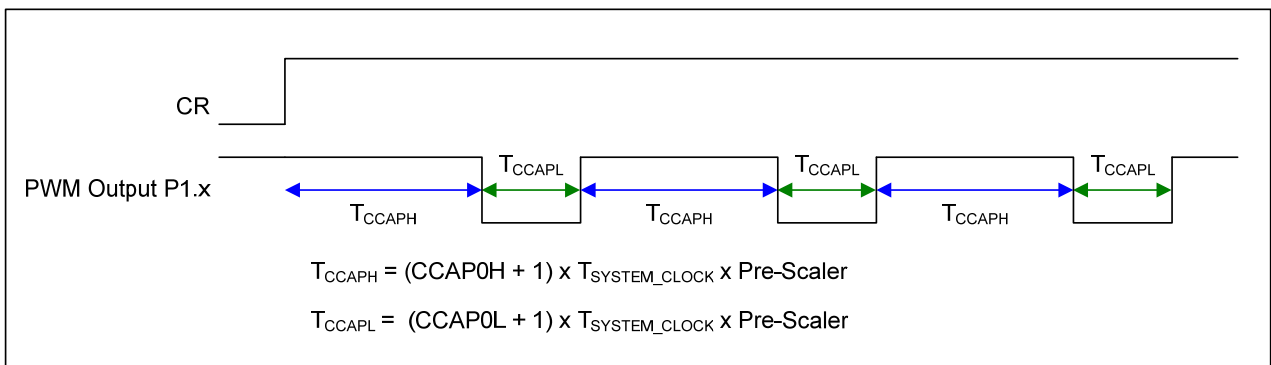
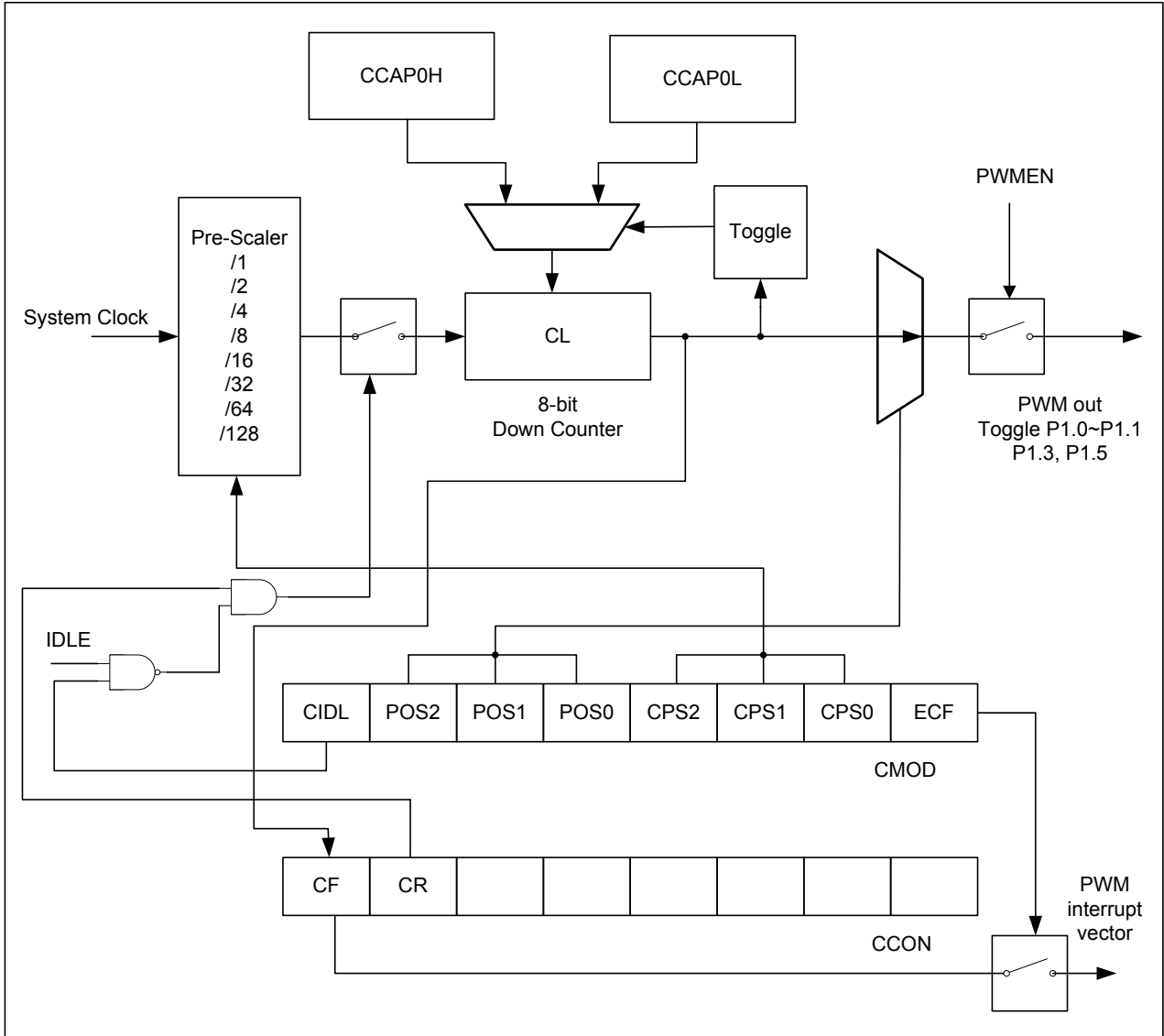
0: Cleared by software to specify low level triggered external interrupt 0.

1: Set by software to specify falling edge triggered external interrupt 0.

10.2. PWM-Timer

An 8-bits timer that special designed for PWM generator.

10.2.1. PWM-Timer Structure



10.2.2. PWM-Timer Register

CMOD: PWM-timer Mode Register

Address=D9H, read/write, Power On + RESET=0000-0000

7	6	5	4	3	2	1	0
CIDL	POS2	POS1	POS0	CPS2	CPS1	CPS0	ECF

Bit 7: CIDL, Counter Idle Control.

0: Program the PWM-Timer to continue functioning during IDLE mode.

1: Program the PWM-Timer to be gated off during IDLE mode.

Bit 6~4: POS[2:0], PWM output port select.

POS[2:0]	PWMEN	PWM Output Port
0 0 0	1	P1.0
0 0 1	1	P1.1
0 1 0	1	--
0 1 1	1	P1.3
1 0 0	1	--
1 0 1	1	P1.5
1 1 0	1	--
1 1 1	1	--
X X X	0	Disabled

Bit 3~1: CPS[2:0], Counter Pre-scalar Select.

CPS[2:0]	Pre-scalar
0 0 0	1
0 0 1	2
0 1 0	4
0 1 1	8
1 0 0	16
1 0 1	32
1 1 0	64
1 1 1	128

Bit 0: ECF, Enable PWM-Timer underflow interrupt.

0: Disables CF bit in CCON to generate an interrupt.

1: Enables CF bit in CCON to generate an interrupt.

CCON: PWM-timer Control Register

Address=D8H, read/write, Power On + RESET=00XX-XXXX

7	6	5	4	3	2	1	0
CF	CR	-	-	-	-	-	-

Bit 7: CF, PWM-timer underflow Flag.

0: This flag can only be cleared by software.

1: Set by hardware when the counter rolls under. CF flags an interrupt if bit ECF in CMOD is set. CF may be set by either hardware or software.

Bit 6: CR, PWM-timer Run control bit.

0: Must be cleared by software to turn the PWM-Timer counter off.

1: Set by software to turn the PWM-Timer counter on.

Bit 5~0: Reserved.

CACP0L: PWM-Timer L-Duty Register

Address=EAH, read/write, Power On + RESET=0000-0000

7	6	5	4	3	2	1	0
-	-	-	-	-	-	-	-

CACPOH: PWM-Timer H-Duty Register

Address=FAH, read/write, Power On + RESET=0000-0000

7	6	5	4	3	2	1	0
-	-	-	-	-	-	-	-

11. UART

The serial port (UART) of MG87FE/L04 support full-duplex transmission. It can transmit and receive simultaneously. The serial port receive and transmit share the same SFR – SBUF, but actually there is two SBUFs in the chip, one is for transmit and the other is for receive. The serial port can be operated in 4 different modes.

11.1. UART Structure

Mode 0

Serial data enters and exits through RXD (P3.0) and TXD (P3.1) outputs the shift clock. 8-bits are transmitted/received with LSB first. The baud rate is fixed at 1/12 the system clock frequency.

$$\text{Baud Rate in Mode 0} = \frac{F_{\text{SYSCLK}}}{12}$$

Mode1

10 bits are transmitted through TXD or received through RXD. The frame data includes a start bit (0), 8 data bits and a stop bit (1). One receive, the stop bit goes into RB8 in SFR – SCON. The baud rate is variable.

$$\text{Baud Rate in Mode 1} = \frac{2^{\text{SMOD}}}{32} \times (\text{timer1 overflow rate})$$

Mode2

11 bits are transmitted through TXD or received through RXD. The frame data includes a start bit (0), 8 data bits, a programmable 9th bit and a stop bit(1). On transmit , the 9th data bit comes from TB8 in SCON. On receive , the 9th data bit goes into RB8 in SCON. The baud rate is programmable to either 1/32 or 1/64 the system clock frequency.

$$\text{Baud Rate in Mode 2} = \frac{2^{\text{SMOD}}}{64} \times F_{\text{SYSCLK}}$$

Mode3

Mode 3 is the same as mode 2 except the baud rate is variable.

$$\text{Baud Rate in Mode 3} = \frac{2^{\text{SMOD}}}{32} \times (\text{timer1 overflow rate})$$

In all four modes, transmission is initiated by any instruction that use SBUF as a destination register. Reception is initiated in mode 0 by the condition RI = 0 and REN = 1. Reception is initiated in the other modes by the incoming start bit with 1-to-0 transition if REN=1.

Automatic Address Recognition

Automatic Address Recognition is a feature which allows the UART to recognize certain addresses in the serial bit stream by using hardware comparison circuit. This feature improves the overhead of software by eliminating the need in examine every incoming address. This feature is enabled by setting the SM2 bit in SCON. In mode2

and mode3, the receive interrupt flag (RI) will be automatically set when the received byte contains either the “Given” address or the “Broadcast” address. These two modes require the 9th received bit is a 1 to indicate that received information is an address and not the data byte.

In mode1, the RI flag will be set if SM2 is enabled and a valid stop bit is received which the stop bit follows the 8 address bits and the information is either a given or broadcast address.

In mode 0, SM2 is ignored.

Framing Error Detection

Framing Error Detection allows the serial port to check for valid stop bits in modes 1, 2, or3. A missing stop bit can be caused, for example, by noise on the serial lines, or transmission by two CPUs simultaneously.

If a stop bit is missing, a Framing Error bit FE is set. The FE bit can be checked in software after each reception to detect communication errors. Once set, the FE bit must be cleared in software. A valid stop bit will not clear FE.

The FE bit is located in SCON and shares the same bit address as SM0. Control bit SMOD0 in the PCON register (location PCON.6) determines whether the SM0 or FE bit is accessed. If SMOD0 = 0, then accesses to SCON.7 are to SM0. IF SMOD0 = 1, then accesses to SCON.7 are to FE.

11.2. UART Register

SCON: Serial port Control Register

Address=98H, read/write, Power On + RESET=0000-0000

7	6	5	4	3	2	1	0
SM0/FE	SM1	SM2	REN	TB8	RB8	TI	RI

Bit 7: FE, Framing Error bit. The SMOD0 bit must be set to enable access to the FE bit.

0: The FE bit is not cleared by valid frames but should be cleared by software.

1: This bit is set by the receiver when an invalid stop bit is detected.

Bit 7: Serial port mode bit 0, (SMOD0 must = 0 to access bit SM0)

Bit 6: Serial port mode bit 1.

SM0	SM1	Mode	Description	Baud Rate
0	0	0	shift register	$F_{SYSCLK}/12$
0	1	1	8-bit UART	variable
1	0	2	9-bit UART	$F_{SYSCLK}/64$ or $F_{SYSCLK}/32$
1	1	3	9-bit UART	variable

Bit 5: Serial port mode bit 2.

0: Disable SM2 function.

1: Enable the automatic address recognition feature in Modes 2 and 3. If SM2=1, RI will not be set unless the received 9th data bit is 1, indicating an address, and the received byte is a given or Broadcast address. In mode1, if SM2=1 then RI will not be set unless a valid stop Bit was received, and the received byte is a Given or Broadcast address. In Mode 0, SM2 should be 0.

Bit 4: REN, Enable serial reception.

0: Clear by software to disable reception.

1: Set by software to enable reception.

Bit 3: TB8, The 9th data bit that will be transmitted in Modes 2 and 3. Set or clear by software as desired.

Bit 2: RB8, In Modes 2 and 3, the 9th data bit that was received. In Mode 1, if SM2 = 0, RB8 is the stop bit that was received. In Mode 0, RB8 is not used.

Bit 1: TI. Transmit interrupt flag.

0: Must be cleared by software.

1: Set by hardware at the end of the 8th bit time in Mode 0, or at the beginning of the stop bit in the other modes, in any serial transmission.

Bit 0: RI. Receive interrupt flag.

0: Must be cleared by software.

1: Set by hardware at the end of the 8th bit time in Mode 0, or halfway through the stop bit time in the other modes, in any serial reception (except see SM2).

SBUF: Serial Buffer Register

Address=99H, read/write, Power On + RESET=XXXX-XXXX

7	6	5	4	3	2	1	0

Bit 7~0: It is used as the buffer register in transmission and reception.

SADDR: Slave Address Register

Address=A9H, read/write, Power On + RESET=0000-0000

7	6	5	4	3	2	1	0

SCON: Slave Address Mask Register

Address=B9H, read/write, Power On + RESET=0000-0000

7	6	5	4	3	2	1	0

SADDR register is combined with SADEN register to form Given/Broadcast Address for automatic address recognition. In fact, SADEN functions as the “mask” register for SADDR register. The following is the example for it.

$$\begin{array}{rcl}
 \text{SADDR} & = & 1100\ 0000 \\
 \text{SADEN} & = & 1111\ 1101 \\
 \hline
 \text{Given} & = & 1100\ 00x0 \quad \longrightarrow \quad \text{The Given slave address will be checked except} \\
 & & & & & \text{bit 1 is treated as “don’t care”}
 \end{array}$$

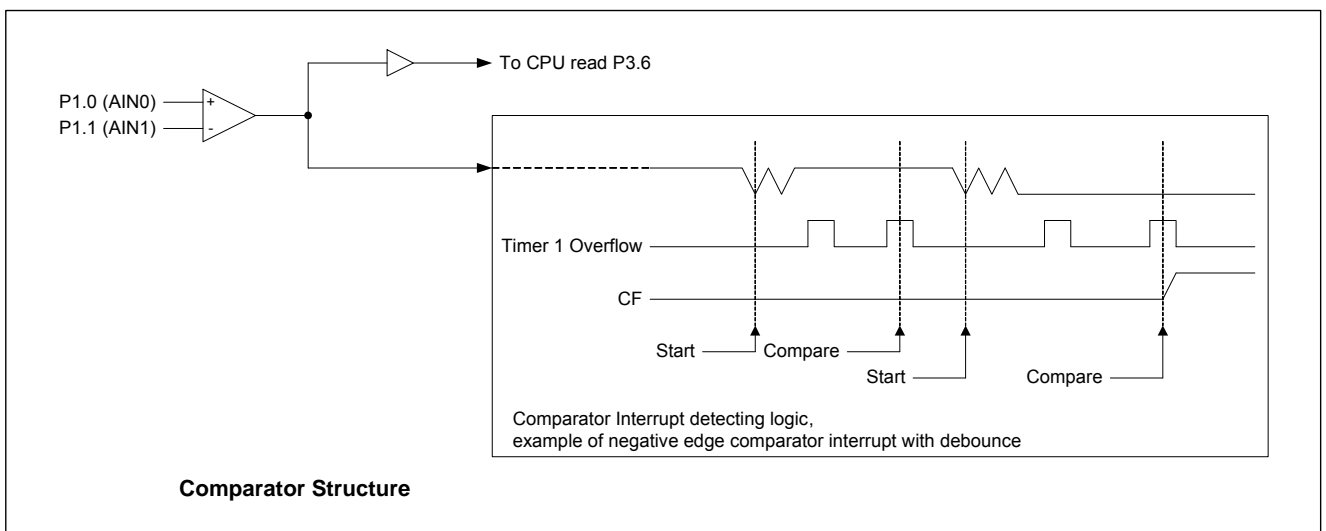
The Broadcast Address for each slave is created by taking the logical OR of SADDR and SADEN. Zero in this result is considered as “don’t care”. Upon reset, SADDR and SADEN are loaded with all 0s. This produces a Given Address of all “don’t care” and a Broadcast Address of all “don’t care”. This disables the automatic address detection feature.

12. Analog Comparator

A single analog comparator is provided in the MG87FE/L04. The comparator operation is such that the output is a logical “HIGH” when the positive input AIN0 (P1.0] is greater than the negative input AIN1 (P1.1). Otherwise the output is “LOW”. Setting the ACEN bit in ACSR enables the comparator. When the comparator is first enabled, the comparator output and interrupt flag are not guaranteed to be stable for 10 microseconds. The corresponding comparator interrupt should not be enabled during that time, and the comparator interrupt flag must be cleared before the interrupt is enabled in order to prevent an immediate interrupt service.

The comparator may be configured to cause an interrupt under a variety of output value conditions by setting the ACM bits in ACSR. The comparator interrupt flag ACF in ACSR is set whenever the comparator output matches the condition specified by ACM. The flag may be polled by firmware or may be used to generate an interrupt and must be cleared by firmware. The analog comparator is always disabled during Idle or Power-down modes.

12.1. Analog Comparator Structure



The comparator output is sampled at every State 4 (S4) of every machine cycle. The conditions on the analog inputs may be such that the comparator output will toggle excessively. This is especially true if applying slow moving analog inputs. Three de-bouncing modes are provided to filter out this noise. In de-bouncing mode, the comparator uses Timer-1 to modulate its sampling time. When a relevant transition occurs, the comparator waits until two Timer-1 overflows have occurred before re-sampling the output. If the new sample agrees with the expected value, ACF is set. Otherwise, the event is ignored. The filter may be tuned by adjusting the timeout period of Timer-1. Because Timer-1 is free running, the de-bouncer must wait for two overflows to guarantee that the sampling delay is at least 1 timeout period. Therefore, after the initial edge event, the interrupt may occur between 1 and 2 timeout periods later.

12.2. Analog Comparator Register

ACSR: Analog Comparator Control & Status Register

Address=97H, read/write, Power On + RESET=0xx0-0000

7	6	5	4	3	2	1	0
ACIDX	-	-	ACF	ACEN	ACM2	ACM1	ACM0

Bit 7: ACIDX, Analog Comparator IDLE control.
 0: Program the Analog Comparator to be gated off during IDLE mode.
 1: Program the Analog Comparator to continue functioning during IDLE mode.

Bit 6~5: Reserved.

Bit 4: ACF. Analog Comparator Interrupt Flag.

0: The flag must be cleared by software.

1: Set when the comparator output meets the conditions specified by the ACM [2:0] bits and ACEN is set. The interrupt may be enabled / disabled by setting/clearing bit 6 of IE.

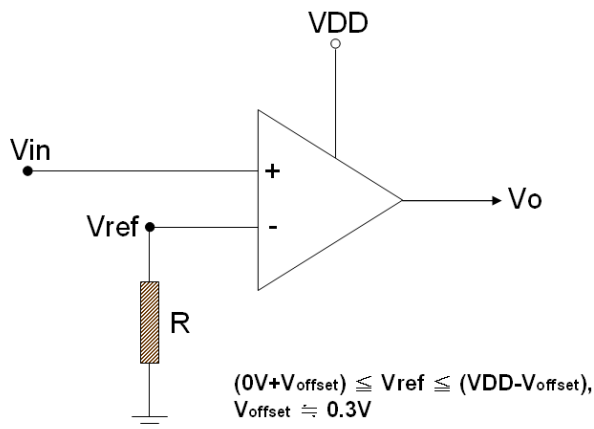
Bit 3: ACEN. Analog Comparator Enable.

0: Clearing this bit will force the comparator output low and prevent further events from setting ACF.

1: Set this bit to enable the comparator.

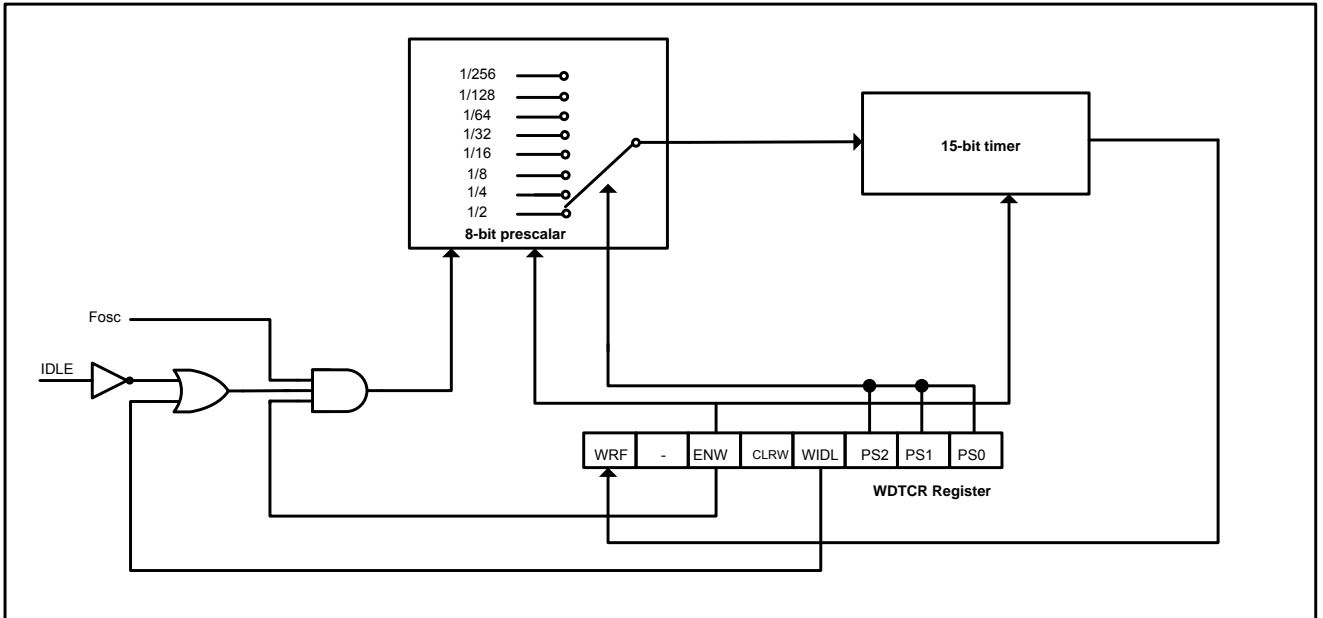
Bit 2~0: ACM2 ~ ACM1, Analog Comparator Interrupt Mode.

ACM[2:0]	Interrupt Mode
0 0 0	Negative (Low) level
0 0 1	Positive edge
0 1 0	Toggle with de-bounce
0 1 1	Positive edge with de-bounce
1 0 0	Negative edge
1 0 1	Toggle
1 1 0	Negative edge with de-bounce
1 1 1	Positive (High) level



13. Watch Dog Timer (WDT)

13.1. WDT Structure



13.2. WDT Register

WDTCR: Watch-Dog-Timer Control Register

Address=E1H, read/write, Power On + Reset =0x00-0000

7	6	5	4	3	2	1	0
WRF	-	ENW	CLRW	WIDL	PS2	PS1	PS0

Bit 7: WRF, WDT reset flag.

0: This bit should be cleared by software.

1: When WDT overflows, this bit is set by hardware.

Bit 6: Reserved.

Bit 5: ENW. Enable WDT.

0: ENW can not be cleared by software.

1: Enable WDT while it is set.

Bit 4: CLRW. Clear WDT counter.

0: Hardware will automatically clear this bit.

1: Clear WDT to recount while it is set.

Bit 3: WIDL. WDT idle control.

0: WDT stops counting while the MCU is in idle mode.

1: WDT keeps counting while the MCU is in idle mode.

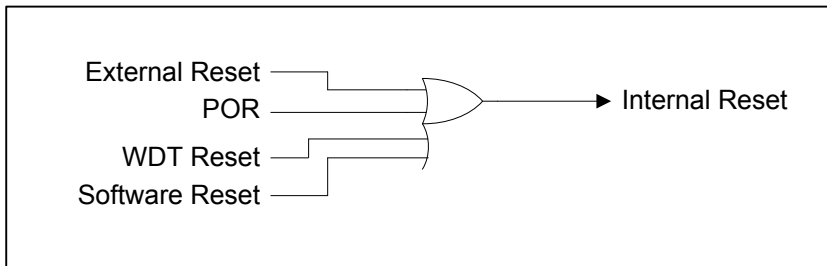
Bit 2~0: PS2 ~ PS0, select pre-scalar output for WDT time base input.

PS[2:0]	Pre-scalar Value
0 0 0	2
0 0 1	4
0 1 0	8
0 1 1	16
1 0 0	32
1 0 1	64
1 1 0	128
1 1 1	256

14. Reset

During reset, all I/O Registers are set to their initial values, the port pins are weakly pulled to VDD, and the program starts execution from the Reset Vector, 0000H, or ISP start address by OR setting. MG87FE/L04 all have four sources of reset: external reset, power-on reset, WDT reset, and software reset.

14.1. Reset Source



15. Power Management

MG87FE/L04 supports two power-reducing modes: Idle and Power-down mode. These two modes are accessed through the PCON register.

15.1. Power Saving Mode

15.1.1. Idle Mode

Setting the IDL bit in PCON enters idle mode. Idle mode halts the internal CPU clock. The CPU state is preserved in its entirety, including the RAM, stack pointer, program counter, program status word, and accumulator. The Port pins hold the logical states they had at the time that Idle was activated. Idle mode leaves the peripherals running in order to allow them to wake up the CPU when an interrupt is generated. Timer 0, Timer 1, PWM-Timer and the UART will continue to function during Idle-mode. The analog comparator is disabled during Idle. Any enabled interrupt source or reset may terminate Idle-mode. When exiting Idle-mode with an interrupt, the interrupt will immediately be serviced, and following RETI, the next instruction to be executed will be the one following the instruction that put the device into Idle.

P1.0 and P1.1 should be set to “0” if no external pull-ups are used, or set to “1” if external pull-ups are used, or set to “1” if AUXR.P10PU&P11PU are enabled.

15.1.2. Power-down Mode

Setting the PD bit in PCON enters Power-down mode. Power-down mode stops the oscillator and powers down the Flash memory in order to minimize power consumption. Only the power-on circuitry will continue to draw power during Power-down. During Power-down the power supply voltage may be reduced to the RAM keep-alive voltage. The RAM contents will be retained; however, the SFR contents are not guaranteed once VDD has been reduced. Power-down may be exited by external reset, power-on reset, enabled external interrupts, or enabled wake-up GPIOs.

The user should not attempt to enter (or re-enter) the power-down mode for a minimum of 4 μ s until after one of the following conditions has occurred: Start of code execution (after any type of reset), or exit from power-down mode.

15.1.3. Interrupt Recovery from Power-down

Four external interrupts may be configured to terminate Power-down mode. External interrupts /INT0 (P3.2), and /INT2 (P4.3) may be used to exit Power-down. To wake up by external interrupt /INT0, or /INT2 the interrupt must be enabled and configured for level-sensitive operation.

If the interrupt vector of /INT2 (P4.3) is occupied by Analog Comparator, low level P4.3 input still have wake-up capability when /INT2 interrupt enable, XICON.EX2, is set (enabled).

When terminating Power-down by an interrupt, two different wake-up modes are available. When PWDEX in CKCON3.2 is zero, the wake up period is internally timed. At the falling edge on the interrupt pin, Power-down is exited, the oscillator is restarted, and an internal timer begins counting. The internal clock will not be allowed to propagate and the CPU will not resume execution until after the timer has reached internal counter full. After the timeout period, the interrupt service routine will begin. To prevent the interrupt from re-triggering, the ISR should disable the interrupt before returning. The interrupt pin should be held low until the device has timed out and begun executing.

When PWDEX = 1 the wake-up period is controlled externally by the interrupt. Again, at the falling edge on the interrupt pin, Power-down is exited and the oscillator is restarted. However, the internal clock will not propagate and CPU will not resume execution until the **rising edge** of the interrupt pin. After the rising edge on the pin, the interrupt service routine will begin. The interrupt should be held low long enough for the oscillator to stabilize.

15.1.4. Reset Recovery from Power-down

Wake-up from Power-down through an external reset is similar to the interrupt with PWDEX = 0. At the rising edge of RST, Power-down is exited, the oscillator is restarted, and an internal timer begins counting. The internal clock will not be allowed to propagate to the CPU until after the timer has reached internal counter full. The RST pin must be held high for longer than the timeout period to ensure that the device is reset properly. The device will begin executing once RST is brought low.

It should be noted that when idle is terminated by a hardware reset, the device normally resumes program execution, from where it left off, up to two machine cycles before the internal reset algorithm takes control. On-chip hardware inhibits access to internal RAM in this event, but access to the port pins is not inhibited. To eliminate the possibility of an unexpected write to a port pin when Idle is terminated by reset, the instruction following the one that invokes Idle should not be one that writes to a port pin or to external memory.

15.1.5. GPIO wake-up Recovery from Power-down

The GPIOs of MG87FE/L04, P1.5 P1.3, P1.1~ P1.0 and P3.2 ~ P3.0 have wake-up CPU capability that are enabled by individual control bit in P1WKPE and P3WKPE. If the interrupt is disabled on P3.2/INT0 and P3.2 still have the wake-up function from the P3WKPE control. But P4.3/INT2 can wake-up CPU only when the respective interrupt is enabled.

Wake-up from Power-down through an enabled wake-up GPIO is similar to the interrupt with PWDEX = 0. At the falling edge of enabled wake-up GPIO, Power-down is exited, the oscillator is restarted, and an internal timer begins counting. The internal clock will not be allowed to propagate to the CPU until after the timer has reached internal counter full. After the timeout period, there is no any interrupt and CPU will execute the following command after last power-down instruction. That is, the enabled wake-up GPIOs will only have the capability to wake-up CPU without any interrupt function.

15.2. Power Control Register

PCON: Power Control Register

Address=87H, read/write, Power On + RESET =0001-0000, RESET=000x-0000

7	6	5	4	3	2	1	0
SMOD	SMOD0	PWMEN	POF	GF1	GF0	PD	IDL

Bit 7: SMOD, double Baud rate control bit.

0: Disable double Baud rate of the UART.

1: Enable double Baud rate of the UART in mode 1, 2, or 3.

Bit 6: SMOD0, Frame Error select.

0: SCON.7 is SM0 function.

1: SCON.7 is FE function. Note that FE will be set after a frame error regardless of the state of SMOD0.

Bit 5: PWMEN, PWM mode enable for PWM-Timer.

0: Set the PWM-Timer as Timer mode.

1: Set the PWM-Timer as PWM mode and trigger the output on P1.0 ~ P1.7 by POS[2:0] indexed.

Bit 4: POF. Power-On Flag.

0: The flag must be cleared by software.

1: POF is set to “1” during power up (i.e. cold reset). It can be set under software control and is not affected by RESEST (i.e. warm resets).

Bit 3~2: GF1, GF0, General purpose flags.

Bit 1: PD, Power-Down control bit.

0: This bit could be cleared by CPU or any exited power-down event.

1: Setting this bit activates power down operation.

Bit 0: IDL, Idle mode control bit.

0: This bit could be cleared by CPU or any exited idle mode event.

1: Setting this bit activates idle mode operation.

P1WKPE: Port 1 Wake-up Enable Control Register

Address=D7H, read/write, RESET=0000-0000

7	6	5	4	3	2	1	0
--	--	P15WKP	--	P13WKP	--	P11WKP	P10WKP

Bit 7, 6, 4, 2: Reserved. Must always clear to 0.

Bit 5, 3, 1~0: Wake-up enable bit for each P1 pins.

0: Disable port pin wake-up function.

1: Enable port pin wake-up function when port input at falling edge in power-down mode and idle mode.

P1WKPE: Port 3 Wake-up Enable Control Register

Address=D6H, read/write, RESET=0000-0000

7	6	5	4	3	2	1	0
--	-	P35WKP	--	--	P32WKP	P31WKP	P30WKP

Bit 7, 6, 4, 3: Reserved. Must always clear to 0.

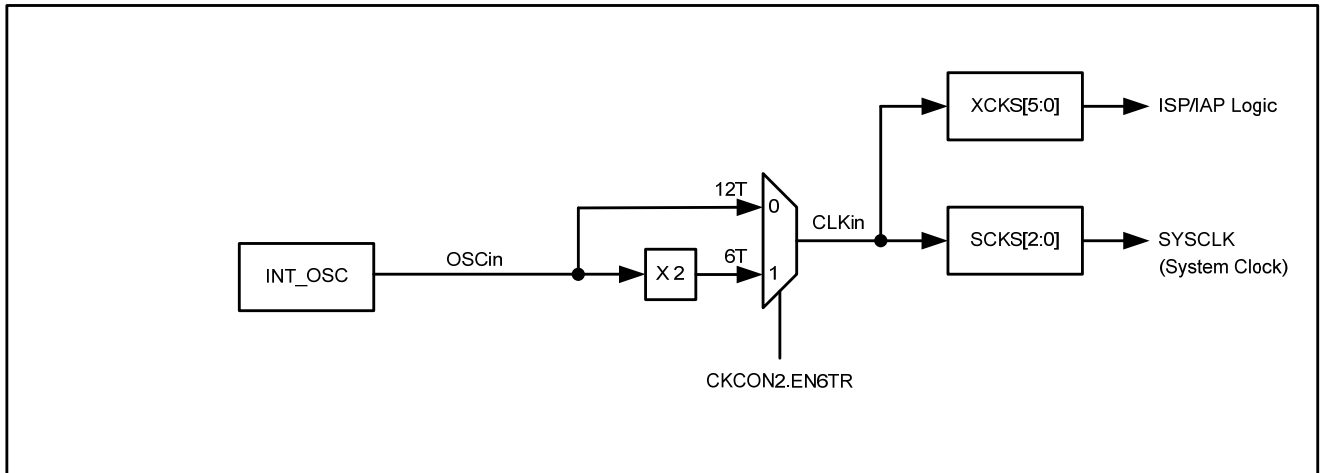
Bit 5, 2~0: Wake-up enable bit for each P3 pins except P3.6.

0: Disable port pin wake-up function.

1: Enable port pin wake-up function when port input at falling edge in power-down mode and idle mode.

16. System Clock

16.1. Clock Structure



16.2. Clock Register

CKCON: Clock Control Register

Address=C7H, read/write, RESET=xxxx-x000

7	6	5	4	3	2	1	0
-	-	-	-	-	SCKS2	SCKS1	SCKS0

Bit 7~3: Reserved.

Bit 2~0: SCKS2 ~ SCKS0, programmable System Clock Selection.

SCKS[2:0]	System Clock (F_{SYSCLK})
0 0 0	CLKin
0 0 1	CLKin /2
0 1 0	CLKin /4
0 1 1	CLKin /8
1 0 0	CLKin /16
1 0 1	CLKin /32
1 1 0	CLKin /64
1 1 1	CLKin /128

CKCON2: Clock Control Register 2

Address=BFH, read/write, RESET=xx00-1010

7	6	5	4	3	2	1	0
OSCDR	EN6TR	XCKS5	XCKS4	XCKS3	XCKS2	XCKS1	XCKS0

Bit 7: OSCDR, OSC Driving control Register. And it could be read /written by CPU.

0: The driving of crystal oscillator is enough for oscillation up to 48MHz.

1: The driving of crystal oscillator is reduced. It will helpful in EMI reduction. Regarding application not needing high frequency clock, it is recommended to do so.

Bit 6: EN6TR, Enable 6T mode control register. And it could be read / written by CPU. The access on this bit will affect CKCON3.EN6TR to corresponding operation and get same control function.

0: MG87FE/L04 will run in 12T mode. (Default)

1: MG87FE/L04 will run in 6T mode.

Bit 5~0: This is set the crystal frequency value to define the time base of ISP/IAP programming. Fill with a proper value according to OSCin, as listed below.

[XCKS5~XCKS0] = OSCin – 1, where OSCin=1~48 (MHz) in 12T mode.

[XCKS5~XCKS0] = OSCinX2 – 1, where OSCin=0.5~24 (MHz) in 6T mode.

For a 12T examples,

(1) If OSCin=12MHz, then fill [XCKS4~XCKS0] with 11, i.e., 001011B.

(2) If OSCin=6MHz, then fill [XCKS4~XCKS0] with 5, i.e., 000101B.

OSCin @ 12T	OSCin @ 6T	XCKS Setting
1MHz	0.5MHz	6'b000000
2MHz	1MHz	6'b000001
3MHz	1.5MHz	6'b000010
4MHz	2MHz	6'b000011
.....
45MHz	22.5MHz	6'b101100
46MHz	23MHz	6'b101101
47MHz	23.5MHz	6'b101110
48MHz	24MHz	6'b101111

The default value of XCKS= 6'b001010 for OSCin= 11MHz at 12T mode.

CKCON3: Clock Control Register 3

Address=8FH, read/write, por+RESET=xxxx-xx0x

7	6	5	4	3	2	1	0
-	-	-	-	-	-	PWDEX	EN6TR

Bit 7~2: Reserved.

Bit 1: PWDEX, Power-down Exit Mode.

0: wake up from Power-down is internally timed.

1: wake up from Power-down is externally controlled.

Bit 0: EN6TR, Enable 6T mode control register. And it could be read / written by CPU. The access on this bit will affect CKCON2.EN6TR to corresponding operation and get same control function.

0: MG87FE/L04 will run in 12T mode. (Default)

1: MG87FE/L04 will run in 6T mode.

17. In System Programming (ISP)

IFD: ISP/IAP Flash Data Register

Address=E2H, read/write, RESET=1111-1111

7	6	5	4	3	2	1	0
Data							

IFD is the data port register for ISP/IAP operation. The data in IFD will be written into the desired address in operating ISP/IAP write and it is the data window of readout in operating ISP/IAP read.

If IMFT is indexed on IAPLB access, read/write IFD through SCMD flow will access the register content of IAPLB.

IFADRH: ISP/IAP Address for High-byte addressing

Address=E3H, read/write, Power On + RESET=0000-0000

7	6	5	4	3	2	1	0
Address							

IFADRH is the high-byte address port for all ISP/IAP modes.

IFADRL: ISP/IAP Address for Low-byte addressing

Address=E4H, read/write, Power On + RESET=0000-0000

7	6	5	4	3	2	1	0
Address							

IFADRL is the low byte address port for all ISP/IAP modes. In page erase operation, it is ignored.

IFMT: ISP/IAP Flash Mode Table

Address=E5H, read/write, Power On + RESET=XXXX-0000

7	6	5	4	3	2	1	0
Reserved				Mode Selection			

Bit 7~4: Reserved

Bit 3~0: ISP/IAP operating mode selection

Bit[3:0]				Mode
0	0	0	0	Standby
0	0	0	1	AP-memory read
0	0	1	0	AP-memory program
0	0	1	1	AP-memory page erase
0	1	0	0	IAPLB write
0	1	0	1	IAPLB read

IFMT is used to select the flash mode for performing numerous ISP/IAP function.

IAPLB: IAP Low Boundary

Address=indirect, read/write, Power On + RESET=1111-1111

7	6	5	4	3	2	1	0
IAPLB							

Bit 7~0: The IAPLB determines the IAP-memory lower boundary. Since a Flash page has 512 bytes, the IAPLB must be an even number.

To read IAPLB, MCU need to define the IMFT for mode selection on IAPLB Read and set ISPCR.ISPEN. And then write 0x46h & 0xB9h sequentially into SCMD. The IAPLB content is available in IFD. If write IAPLB, MCU

will put new IAPLB setting value in IFD firstly. And then select IMFT, enable ISPCR.ISPEN and then set SCMD. The IAPLB content has already finished the updated sequence.

The range of the IAP-memory is determined by IAPLB and the ISP start address as listed below.

*IAP lower boundary = IAPLBx256, and
IAP higher boundary = ISP start address – 1.*

For example, if IAPLB=0x10 and ISP start address is 0x1800, then the IAP-memory range is located at 0x1000 ~ 0x17FF.

Additional attention point, the IAP low boundary address must not be higher than ISP start address.

SCMD: Sequential Command Data register / RDID (Read DID register)

Address=E6H, read/write, Power On + RESET=xxxx-xxxx

7	6	5	4	3	2	1	0
SCMD							

SCMD is the command port for triggering ISP/IAP/IAPLB activity. If SCMD is filled with sequential 0x46h, 0xB9h and if ISPCR.7 = 1, ISP/IAP activity will be triggered.

ISPCR: ISP Control Register

Address=E5H, read/write, Power On + RESET= 0000-xxxx

7	6	5	4	3	2	1	0
ISPEN	SWBS	SWRST	CFAIL	-			

Bit 7: ISPEN, ISP/IAP operation enable.
0: Global disable all ISP/IAP program/erase/read function.
1: Enable ISP/IAP program/erase/read function.

Bit 6: SWBS, software boot selection control.
0: Boot from main-memory after reset.
1: Boot from ISP memory after reset.

Bit 5: SWRST, software reset trigger control.
0: No operation
1: Generate software system reset. It will be cleared by hardware automatically.

Bit 4: CFAIL, Command Fail indication for ISP/IAP operation.
0: The last ISP/IAP command has finished successfully.
1: The last ISP/IAP command fails. It could be caused since the access of flash memory was inhibited.

Bit 3~0: Reserved.

MG87FE/L04 does not make use of idle-mode to perform ISP operation. Instead, it creates CPU wait-state to release flash memory for ISP control circuit use. Once ISP run over, CPU will be waken-up and advanced to the instruction which follows the previous instruction that invokes ISP activity. During ISP operation, interrupt service is also blocked until ISP run over.

ISP control circuit has a built-in timer for timing sequence control. It is referred from OSC frequency and defined by CKCON2.XCKS [5:0] to get the accuracy erase/program timing.

18. In Application Programming (IAP)

MG87FE/L04 available program memory size (AP-memory) is restricted to 4K. The flash memory between IAPLB and ISP start address could be defined as data flash memory and can be accessed by the ISP operation in field application. The size of IAP flash memory is variable. It is defined by IAPLB.

When MG87FE/L04 boots from AP-memory, it is restricted to have the capability of accessing IAP data flash memory space only. AP-memory and ISP-memory are protected from abnormal disturbance.

When MG87FE/L04 boots from ISP- memory , AP-memory and data flash memory (IAP) are opened for ISP access.

19. Auxiliary SFRs

AUXR: Auxiliary Control Register

Address=8EH, read/write, RESET=0000-0000

7	6	5	4	3	2	1	0
--	INT2H	P15FS	--	P13FS	--	P11PU	P10PU

Bit 7: Reserved. Must clear to 0 .

Bit 6: INT2H, INT2 High/Rising trigger enable.

0: Remain INT2 triggered on low level or falling edge on P4.3.

1: Set INT2 triggered on high level or rising edge on P4.3.

Bit 5: P15FS, pin P1.5 function swapped enable.

0: Pin P1.5 and P3.5 reserves original default function.

1: Pin P1.5 function is swapped with P3.5/T1. And Pin P3.5 function is swapped by P1.5.

Bit 4: Reserved. Must clear to 0 .

Bit 3: P13FS, pin P1.3 function swapped enable.

0: Pin P1.3 and P4.3 reserve original default function.

1: Pin P1.3 function is swapped with P4.3/INT2. And Pin P4.3 function is swapped by P1.3 if internal OSC is enabled to release XTAL1 for GPIO function.

Bit 2: Reserved. Must clear to 0 .

Bit 1: P11PU, Enable P1.1 pull-up resistor.

0: P1.1 without Pull-Up resistor in open-drain mode.

1: P1.1 with Pull-Up resistor in open-drain mode.

Bit 0: P10PU, Enable P1.0 pull-up resistor.

0: P1.0 without Pull-Up resistor in open-drain mode.

1: P1.0 with Pull-Up resistor in open-drain mode.

P1.1 & P1.0 is high-impedance input and N-MOS output without pull-up resistor in default mode. P11PU & P10PU in AUXR will enable the pull-up resistor on P1.1/P1.0 individually. If P1.1 & P1.0 are used for GPIO function, CPU could not drive low without external pull-up resistor in power down mode when P11PU & P10PU are enabled.

AUXR1: Auxiliary Control Register 1

Address=A2H, read/write, Power On + RESET=0xxx-0xxx

7	6	5	4	3	2	1	0
--	-	-	-	GF2	-	-	

Bit 7: Reserved. Must clear to 0.

Bit 6~4: Reserved.

Bit 3: GF2, General purpose Flag 2.

Bit 2~0: Reserved.

20. Absolute Maximum Rating

For MG87FE/L04

Parameter	Rating	Unit
Ambient temperature under bias	-55 ~ +125	°C
Storage temperature	-65 ~ + 150	°C
Voltage on any Port I/O Pin or RESET with respect to Ground	-0.5 ~ VDD + 0.5	V
Voltage on VDD with respect to Ground	-0.5 ~ +6.0	V
Maximum total current through VDD and Ground	400	mA
Maximum output current sunk by any Port pin	40	mA

*Note: stresses above those listed under "Absolute Maximum Ratings" may cause permanent damage to the device. This is a stress rating only and functional operation of the devices at those or any other conditions above those indicated in the operation listings of this specification is not implied. Exposure to maximum rating conditions for extended periods may affect device reliability.

21. Electrical Characteristics

21.1. DC Characteristics

VSS = 0V, TA = 25 °C, VDD = 5.0V and 12 clocks per machine cycle, unless otherwise specified

Symbol	Parameter	Test Condition	Limits			Unit
			min	Typ.	max	
V _{IH1}	Input High voltage (Ports 1, 3, 4)		2.0			V
V _{IH2}	Input High voltage (RESET)		3.5			V
V _{IL1}	Input Low voltage (Ports 1, 3, 4)				0.8	V
V _{IL2}	Input Low voltage (RESET)				1.6	V
I _{IH}	Input High Leakage current (Ports 1, 3, 4)	V _{PIN} = VDD		0	10	uA
I _{IL}	Logic 0 input current (Ports 1, 3, 4)	V _{PIN} = 0.4V		20	50	uA
I _{H2L}	Logic 1 to 0 input transition current (Ports 1, 3, 4)	V _{PIN} = 1.8V		250	500	uA
I _{OH1}	Output High current (Ports 1, 3, 4)	V _{PIN} = 2.4V	150	220		uA
I _{OL1}	Output Low current (Ports 1, 3, 4)	V _{PIN} = 0.4V	12			mA
I _{OP}	Operating current	F _{OSC} = 12MHz		8	16	mA
		F _{OSC} = 24MHz		10	20	
I _{IDLE}	Idle mode current	F _{OSC} = 12MHz		4	8	mA
		F _{OSC} = 24MHz		5	10	
I _{PD}	Power down current			0.1	10	uA
R _{RST}	Internal reset pull-down resistance			100		Kohm

VSS = 0V, TA = 25 °C, VDD = 3.3V and 12 clocks per machine cycle, unless otherwise specified

Symbol	Parameter	Test Condition	Limits			Unit
			min	Typ.	max	
V _{IH1}	Input High voltage (Ports 1, 3, 4)		2.0			V
V _{IH2}	Input High voltage (RESET)		2.8			V
V _{IL1}	Input Low voltage (Ports 1, 3, 4)				0.8	V
V _{IL2}	Input Low voltage (RESET)				1.5	V
I _{IH}	Input High Leakage current (Ports 1, 3, 4)	V _{PIN} = VDD		0	10	uA
I _{IL}	Logic 0 input current (Ports 1, 3, 4)	V _{PIN} = 0.4V		7	30	uA
I _{H2L}	Logic 1 to 0 input transition current (Ports 1, 3, 4)	V _{PIN} = 1.8V		100	250	uA
I _{OH1}	Output High current (Ports 1, 3, 4)	V _{PIN} = 2.4V	40	70		uA
I _{OL1}	Output Low current (Ports 1, 3, 4)	V _{PIN} = 0.4V	8			mA
I _{OP}	Operating current	F _{OSC} = 12MHz		6	12	mA
		F _{OSC} = 24MHz		8	16	
I _{IDLE}	Idle mode current	F _{OSC} = 12MHz		2	4	mA
		F _{OSC} = 24MHz		2.5	5	
I _{PD}	Power down current			0.1	50	uA
R _{RST}	Internal reset pull-down resistance			200		Kohm

22. Package Dimension

MSOP-10

SYMBOLS	MIN.	NOM.	MAX.
A	—	—	1.10
A1	0.00	—	0.15
A2	0.75	0.85	0.95
b	0.17	—	0.27
c	0.08	—	0.23
D	3.00 BSC		
E	4.90 BSC		
E1	3.00 BSC		
e	0.50 BSC		
L	0.40	0.60	0.80
L1	0.95 REF		
θ'	0	—	8

UNIT : MM

PAD SIZE	E2		D1	
	MIN.	MAX.	MIN.	MAX.
75X70E	1.52	1.91	1.42	1.78

NOTES:
 1. JEDEC OUTLINE :
 STANDARD : MO-187 BA.
 THERMALLY ENHANCED : MO-187 BA-T.
 2. DIMENSION D DOES NOT INCLUDE MOLD FLASH, PROTRUSIONS OR GATE BURRS. MOLD FLASH, PROTRUSIONS OR GATE BURRS SHALL NOT EXCEED 0.15 mm PER END.
 DIMENSION E1 DOES NOT INCLUDE INTERLEAD FLASH OR PROTRUSION. INTERLEAD FLASH OR PROTRUSION SHALL NOT EXCEED 0.15 mm PER SIDE.
 3. DIMENSION 'b' DOES NOT INCLUDE DAMBAR PROTRUSION. ALLOWABLE DAMBAR PROTRUSION SHALL BE 0.08 mm TOTAL IN EXCESS OF THE 'b' DIMENSION AT MAXIMUM MATERIAL CONDITION. THE DAMBAR CANNOT BE LOCATED ON THE LOWER RADIUS OF THE FOOT. MINIMUM SPACE BETWEEN PROTRUSION AND AN ADJACENT LEAD SHALL NOT BE LESS THAN 0.07 mm.
 4. D AND E1 DIMENSIONS ARE DETERMINED AT DATUM \square .

比例	材料	制程	数量
比例: 1:1	材料: PLASTIC LOW/THIN/VERY THIN SHRINK SMALL	制程: OUTLINE PACKAGE DATA SHEET 10 LEADS	数量: 05
日期: 8/11/08	日期: 8/12/08	日期: J1-0710M-001	日期: 8/13/08
文件: 8/13/08	文件: J1-0710M-001-05	文件: 05	文件: 1

THERMALLY ENHANCED VARIATIONS ONLY

DETAIL A

23. Instruction Set

MNEMONIC	DESCRIPTION	BYTE	EXECUTION TIME(MC)
DATA TRASFER			
MOV A,Rn	Move register to Acc	1	1
MOV A, direct	Move direct byte o Acc	2	1
MOV A,@Ri	Move indirect RAM to Acc	1	1
MOV A,#data	Move immediate data to Acc	2	1
MOV Rn,A	Move Acc to register	1	1
MOV Rn,direct	Move direct byte to register	2	2
MOV Rn,#data	Move immediate data to register	2	1
MOV direct, A	Move Acc to direct byte	2	1
MOV direct,Rn	Move register to direct byte	2	2
MOV direct, direct	Move direct byte to direct byte	3	2
MOV direct,@Ri	Move indirect RAM to direct byte	2	2
MOV direct,#data	Move immediate data to direct byte	3	2
MOV @Ri,A	Move Acc to indirect RAM	1	1
MOV @Ri,direct	Move direct byte to indirect RAM	2	2
MOV @Ri,#data	Move immediate data to indirect RAM	2	1
MOV DPTR,#data16	Load DPTR with a 16-bit constant	3	2
MOVC A,@A+DPTR	Move code byte relative to DPTR to Acc	1	2
MOVC A,@A+PC	Move code byte relative to PC to Acc	1	2
MOVX A,@Ri	Move external RAM(8-bit address) to Acc	1	2
MOVX A,@DPTR	Move external RAM(16-bit address) to Acc	1	2
MOVX @Ri,A	Move Acc to external RAM(8-bit address)	1	2
MOVX @DPTR,A	Move Acc to external RAM(16-bit address)	1	2
PUSH direct	Push direct byte onto Stack	2	2
POP direct	Pop direct byte from Stack	2	2
XCH A,Rn	Exchange register with Acc	1	1
XCH A, direct	Exchange direct byte with Acc	2	1
XCH A,@Ri	Exchange indirect RAM with Acc	1	1
XCHD A,@Ri	Exchange low-order digit indirect RAM with Acc	1	1
ARITHMETIC OPERATIONS			
ADD A,Rn	Add register to Acc	1	1
ADD A, direct	Add direct byte to Acc	2	1
ADD A,@Ri	Add indirect RAM to Acc	1	1
ADD A,#data	Add immediate data to Acc	2	1
ADDC A,Rn	Add register to Acc with Carry	1	1
ADDC A, direct	Add direct byte to Acc with Carry	2	1
ADDC A,@Ri	Add indirect RAM to Acc with Carry	1	1
ADDC A,#data	Add immediate data to Acc with Carry	2	1
SUBB A,Rn	Subtract register from Acc with borrow	1	1
SUBB A, direct	Subtract direct byte from Acc with borrow	2	1
SUBB A,@Ri	Subtract indirect RAM from Acc with borrow	1	1
SUBB A,#data	Subtract immediate data from Acc with borrow	2	1
INC A	Increment Acc	1	1

INC Rn	Increment register	1	1
INC direct	Increment direct byte	2	1
INC @Ri	Increment indirect RAM	1	1
DEC A	Decrement Acc	1	1
DEC Rn	Decrement register	1	1
DEC direct	Decrement direct byte	2	1
DEC @Ri	Decrement indirect RAM	1	1
INC DPTR	Increment DPTR	1	2
MUL AB	Multiply A and B	1	4
DIV AB	Divide A by B	1	4
DAA	Decimal Adjust Acc	1	1
LOGIC OPERATION			
ANL A,Rn	AND register to Acc	1	1
ANL A, direct	AND direct byte to Acc	2	1
ANL A,@Ri	AND indirect RAM to Acc	1	1
ANL A,#data	AND immediate data to Acc	2	1
ANL direct, A	AND Acc to direct byte	2	1
ANL direct,#data	AND immediate data to direct byte	3	2
ORL A,Rn	OR register to Acc	1	1
ORL A, direct	OR direct byte to Acc	2	1
ORL A,@Ri	OR indirect RAM to Acc	1	1
ORL A,#data	OR immediate data to Acc	2	1
ORL direct, A	OR Acc to direct byte	2	1
ORL direct,#data	OR immediate data to direct byte	3	2
XRL A,Rn	Exclusive-OR register to Acc	1	1
XRL A, direct	Exclusive-OR direct byte to Acc	2	1
XRL A,@Ri	Exclusive-OR indirect RAM to Acc	1	1
XRL A,#data	Exclusive-OR immediate data to Acc	2	1
XRL direct, A	Exclusive-OR Acc to direct byte	2	1
XRL direct,#data	Exclusive-OR immediate data to direct byte	3	2
CLR A	Clear Acc	1	1
CPL A	Complement Acc	1	1
RL A	Rotate Acc Left	1	1
RLC A	Rotate Acc Left through the Carry	1	1
RR A	Rotate Acc Right	1	1
RRC A	Rotate Acc Right through the Carry	1	1
SWAP A	Swap nibbles within the Acc	1	1
BOOLEAN VARIABLE MANIPULATION			
CLR C	Clear Carry	1	1
CLR bit	Clear direct bit	2	1
SETB C	Set Carry	1	1
SETB bit	Set direct bit	2	1
CPL C	Complement Carry	1	1
CPL bit	Complement direct bit	2	1
ANL C,bit	AND direct bit to Carry	2	2
ANL C,/bit	AND complement of direct bit to Carry	2	2
ORL C,bit	OR direct bit to Carry	2	2
ORL C,/bit	OR complement of direct bit to Carry	2	2

MOV C,bit	Move direct bit to Carry	2	1
MOV bit,C	Move Carry to direct bit	2	2
JC rel	Jump if Carry is set	2	2
JNC rel	Jump if Carry not set	2	2
BOOLEAN VARIABLE MANIPULATION			
JB bit,rel	Jump if direct bit is set	3	2
JNB bit,rel	Jump if direct bit not set	3	2
JBC bit,rel	Jump if direct bit is set and then clear bit	3	2
PROGRAM BRACHING			
ACALL addr11	Absolute subroutine call	2	2
LCALL addr16	Long subroutine call	3	2
RET	Return from subroutine	1	2
RETI	Return from interrupt subroutine	1	2
AJMP addr11	Absolute jump	2	2
LJMP addr16	Long jump	3	2
SJMP addr16	Short jump	2	2
JMP @A+DPTR	Jump indirect relative to DPTR	1	2
JZ rel	Jump if Acc is zero	2	2
JNZ rel	Jump if Acc not zero	2	2
CJNE A,direct,rel	Compare direct byte to Acc and jump if not equal	3	2
CJNE A,#data,rel	Compare immediate data to Acc and jump if not equal	3	2
CJNE Rn,#data,rel	Compare immediate data to register and jump if not equal	3	2
CJNE @Ri,#data,rel	Compare immediate data to indirect RAM and jump if not equal	3	2
DJNZ Rn,rel	Decrement register and jump if not equal	2	2
DJNZ direct,rel	Decrement direct byte and jump if not equal	3	2
NOP	No Operation	1	1

24. Revision History

Version	Date	Page	Description
V1.00	2009/Sep./16		- Initial release
V1.01	2009/OCT/23		- change package type & change 87E04 as 87FE/L04
V1.02	2009/OCT/27		- IC part number changed as MG87FE/L04
V1.03	2009/NOV/16	4	- IC part number & IC marking changed.